

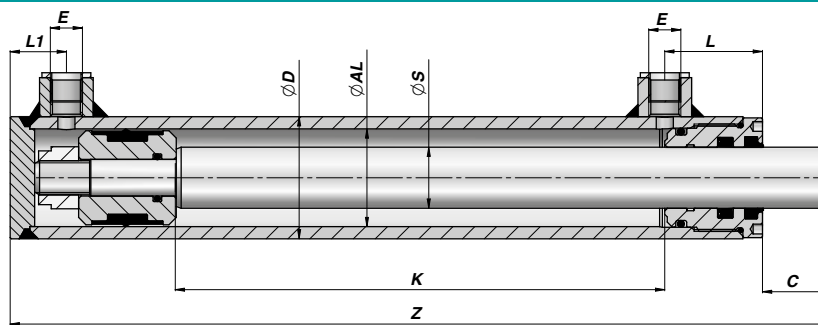
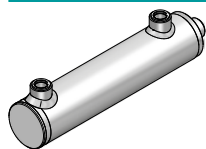
CILINDRI STANDARD STANDARD CYLINDERS

	Descrizione - Description	Series	Type	Page
	CILINDRO DOPPIO EFFETTO STANDARD STANDARD DOUBLE ACTING CYLINDER	M250	HMO	10÷11
	NEW! CILINDRO DOPPIO EFFETTO STANDARD STANDARD DOUBLE ACTING CYLINDER	C200	HMOLM	12
	CILINDRO DOPPIO EFFETTO STANDARD STANDARD DOUBLE ACTING CYLINDER	P350	HMOPM	13
	NEW! CILINDRO DOPPIO EFFETTO FLANGIATO DOUBLE ACTING CYLINDER WITH FLANGE	M250	HMF	14
	CILINDRO STABILIZZATORE HYDRAULIC STABILIZER CYLINDER	M250	HMS	15
	CILINDRO DOPPIO EFFETTO TIPO "HFR2S" DOUBLE ACTING CYLINDER "HFR2S" TYPE	M250	HFR2S	16÷17
	CILINDRO DOPPIO EFFETTO STANDARD CON ATTACCHI DOUBLE ACTING CYLINDER WITH ENDS	M250	HM1	18÷19
	CILINDRO DOPPIO EFFETTO STANDARD CON ATTACCHI DOUBLE ACTING CYLINDER WITH ENDS	M250	HM2	20÷21
	CILINDRO DOPPIO EFFETTO STANDARD CON ATTACCHI DOUBLE ACTING CYLINDER WITH ENDS	M250	HM5	22÷23
	CILINDRO DOPPIO EFFETTO STANDARD CON ATTACCHI DOUBLE ACTING CYLINDER WITH ENDS	M250	HMB	24÷25
	CILINDRO DOPPIO EFFETTO STANDARD CON ATTACCHI DOUBLE ACTING CYLINDER WITH ENDS	M250	HMC	26÷27
	CILINDRO TUFFANTE STANDARD STANDARD PLUNGER CYLINDER	M250	HTO	28
	CILINDRO TUFFANTE TIPO "HFRT" PLUNGER CYLINDER "HFRT" TYPE	M250	HFRT	29
	CARATTERISTICHE TECNICHE TECHNICAL SPECIFICATIONS			30÷41

HMO

CILINDRO DOPPIO EFFETTO STANDARD
STANDARD DOUBLE ACTING CYLINDER

Series M250

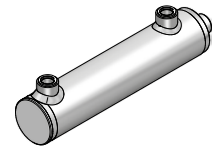
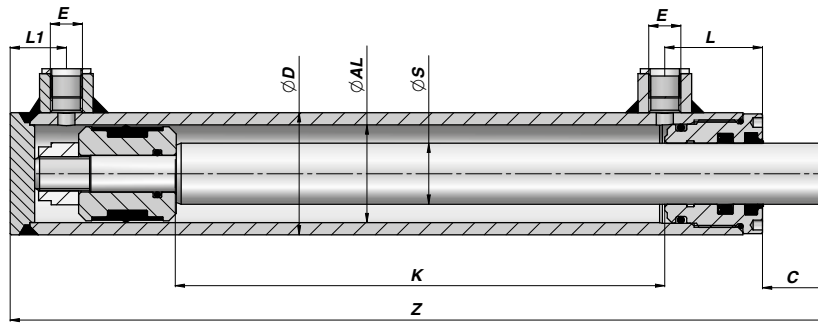


Codice Code	K	Z	kg	E BSP	L	L1	C	Codice Code	K	Z	kg				
ØD 35 ØAL 25 ØS 16															
HM0025160050	50	135	0,71	1/4"	33	15	17								
HM0025160100	100	185	0,97												
HM0025160150	150	235	1,23												
HM0025160200	200	285	1,50												
ØD 42 ØAL 32 ØS 20															
HM0032200050	50	155	1,27	1/4"	33	20	16								
HM0032200100	100	205	1,62												
HM0032200150	150	255	1,97												
HM0032200200	200	305	2,33												
HM0032200250	250	355	2,68												
HM0032200300	300	405	3,03												
HM0032200400	400	505	3,73												
HM0032200500	500	605	4,42												
ØD 50 ØAL 40 ØS 20															
HM01200100	100	230	2,29	1/4"	40	23	22	HM01250100	100	230	2,45				
HM01200150	150	280	2,69					HM01250150	150	280	2,92				
HM01200200	200	330	3,09					HM01250200	200	330	3,40				
HM01200250	250	380	3,49					HM01250250	250	380	3,86				
HM01200300	300	430	3,83					HM01250300	300	430	4,33				
HM01200350	350	480	4,29					HM01250350	350	480	4,80				
HM01200400	400	530	4,69					HM01250400	400	530	5,27				
HM01200450	450	580	5,08					HM01250450	450	580	5,74				
HM01200500	500	630	5,49					HM01250500	500	630	6,21				
								HM01250550	550	680	6,68				
								HM01250600	600	730	7,14				
ØD 60 ØAL 50 ØS 25															
HM02250100	100	240	3,30	3/8"	43	26	22	HM02300100 NEW!	100	240	3,51				
HM02250150	150	290	3,83					HM02300150	150	290	4,12				
HM02250200	200	340	4,36					HM02300200	200	340	4,70				
HM02250250	250	390	4,89					HM02300250	250	390	5,40				
HM02250300	300	440	5,42					HM02300300	300	440	6,00				
HM02250350	350	490	5,95					HM02300350	350	490	6,60				
HM02250400	400	540	6,48					HM02300400	400	540	7,20				
HM02250450	450	590	7,01					HM02300450	450	590	7,81				
HM02250500	500	640	7,54					HM02300500	500	640	8,42				
HM02250550	550	690	8,07					HM02300550	550	690	9,00				
HM02250600	600	740	8,60					HM02300600	600	740	9,70				
HM02250700 NEW!	700	840	9,66					HM02300700	700	840	10,90				
HM02250800	800	940	10,72					HM02300800	800	940	12,10				
HM02251000	1000	1140	12,83					HM02301000	1000	1140	14,60				
ØD 70 ØAL 60 ØS 30															
HM03300100	100	260	4,90					3/8"	50	30	23	HM03350100	100	260	5,10
HM03300150	150	310	5,60									HM03350150	150	310	5,90
HM03300200	200	360	6,20									HM03350200	200	360	6,70
HM03300250	250	410	6,90	HM03350250	250	410	7,50								
HM03300300	300	460	7,60	HM03350300	300	460	8,20								
HM03300350	350	510	8,30	HM03350350	350	510	9,00								
HM03300400	400	560	8,90	HM03350400	400	560	9,80								
HM03300450	450	610	9,60	HM03350450	450	610	10,60								
HM03300500	500	660	10,30	HM03350500	500	660	11,30								
HM03300550	550	710	11,00	HM03350550	550	710	12,10								
HM03300600	600	760	11,60	HM03350600	600	760	12,90								
HM03300700 NEW!	700	860	12,99	HM03350700 NEW!	700	860	14,44								
HM03300800	800	960	14,30	HM03350800	800	960	16,00								
HM03301000	1000	1160	17,00	HM03351000	1000	1160	19,10								

CILINDRO DOPPIO EFFETTO STANDARD
STANDARD DOUBLE ACTING CYLINDER

HMO

Series M250



Codice Code	K	Z	kg	E BSP	L	L1	C	Codice Code	K	Z	kg	
ØD 70 ØAL 60 ØS 40								ØD 73 ØAL 63 ØS 40				
HM03400200	200	360	7,30					HM0063400200	200	360	7,50	
HM03400250	250	410	8,20					HM0063400250	250	410	8,40	
HM03400300	300	460	9,10					HM0063400300	300	460	9,30	
HM03400350	350	510	10,00					HM0063400350	350	510	10,30	
HM03400400	400	560	10,90					HM0063400400	400	560	11,20	
HM03400450	450	610	11,80					HM0063400450	450	610	12,10	
HM03400500	500	660	12,70	3/8"	50	30	23	HM0063400500	500	660	13,00	
HM03400550	550	710	13,60					HM0063400550	550	710	13,90	
HM03400600	600	760	14,40					HM0063400600	600	760	14,80	
HM03400700 NEW!	700	860	16,23					HM0063400700 NEW!	700	860	16,64	
HM03400800	800	960	18,00					HM0063400800	800	960	18,40	
HM03401000	1000	1160	21,60					HM0063401000	1000	1160	22,10	
ØD 80 ØAL 70 ØS 35								ØD 80 ØAL 70 ØS 40				
HM04350100	100	260	6,10					HM04400100 NEW!	100	260	6,48	
HM04350150	150	310	6,90					HM04400150 NEW!	150	310	7,43	
HM04350200	200	360	7,80					HM04400200	200	360	8,40	
HM04350250	250	410	8,60					HM04400250	250	410	9,30	
HM04350300	300	460	9,40					HM04400300	300	460	10,30	
HM04350350	350	510	10,30					HM04400350	350	510	11,20	
HM04350400	400	560	11,10	3/8"	50	33	23	HM04400400	400	560	12,20	
HM04350450	450	610	12,00					HM04400450	450	610	13,10	
HM04350500	500	660	12,80					HM04400500	500	660	14,10	
HM04350550	550	710	13,60					HM04400550	550	710	15,10	
HM04350600	600	760	14,50					HM04400600	600	760	15,99	
HM04350700 NEW!	700	860	16,15					HM04400700 NEW!	700	860	17,91	
HM04350800	800	960	17,80					HM04400800	800	960	19,80	
HM04351000	1000	1160	21,20					HM04401000	1000	1160	23,60	
ØD 92 ØAL 80 ØS 40								ØD 92 ØAL 80 ØS 50				
HM05400200	200	380	11,22					HM05500200	200	380	12,47	
HM05400250	250	430	12,34					HM05500250	250	430	13,88	
HM05400300	300	480	13,46					HM05500300	300	480	15,28	
HM05400400	400	580	15,72					HM05500400	400	580	18,09	
HM05400500	500	680	17,77	1/2"	60	35	25	HM05500500	500	680	20,90	
HM05400600	600	780	20,22					HM05500600 NEW!	600	780	23,70	
HM05400700 NEW!	700	880	22,47					HM05500700 NEW!	700	880	26,50	
HM05400800	800	980	24,72					HM05500800	800	980	29,50	
HM05401000	1000	1180	29,22					HM05501000	1000	1180	35,00	
ØD 105 ØAL 90 ØS 50								ØD 115 ØAL 100 ØS 60				
HM0090500300	300	486	19,30									
HM0090500400	400	586	22,64									
HM0090500500	500	686	25,97									
HM0090500600	600	786	29,30	1/2"	60	40	23					
HM0090500700 NEW!	700	886	32,63									
HM0090500800	800	986	35,97									
HM0090501000	1000	1186	42,64									
HM06500200	200	410	19,60									
HM06500250	250	460	21,38									
HM06500300	300	510	23,14					HM06600300	300	510	25,32	
HM06500400	400	610	26,65					HM06600400	400	610	29,52	
HM06500500	500	710	30,17	1/2"	82	38	25	HM06600500	500	710	33,71	
HM06500600	600	810	33,69					HM06600600 NEW!	600	810	37,90	
HM06500700 NEW!	700	910	37,21					HM06600700	700	910	42,10	
HM06500800	800	1010	40,72					HM06600800	800	1010	46,30	
HM06501000	1000	1210	47,50					HM06601000	1000	1210	54,69	

MATERIALE TUBO : ACCIAIO St 52.3 DIN 2393 ISO H9
TUBE MATERIAL : STEEL St 52.3 DIN 2393 ISO H9

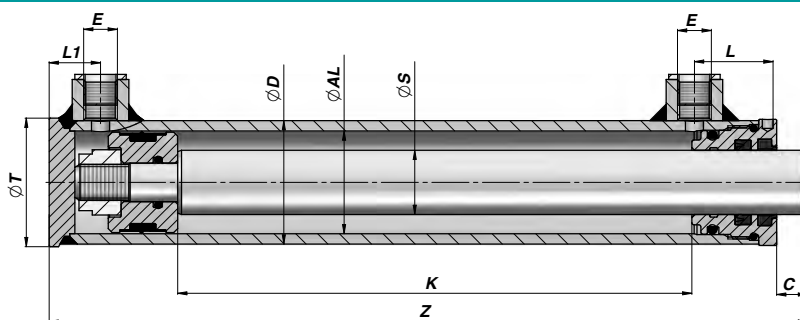
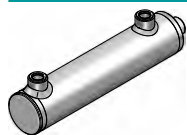
MATERIALE ASTA : ACCIAIO UNI C45 SAE 1045 CROMO 25 µm ±5 Rating 9 / 200h (ø16 120h) ISO 10289 - 1999/ISO 9227-NSS
ROD MATERIAL : STEEL UNI C45 SAE 1045 CHROME 25 µm ±5 Rating 9 / 200h (ø16 120h) ISO 10289 - 1999/ISO 9227-NSS

CARATTERISTICHE TECNICHE : VEDI PAGINA 30 - TECHNICAL SPECIFICATIONS : SEE PAGE 30

HMOLM

**CILINDRO DOPPIO EFFETTO STANDARD
STANDARD DOUBLE ACTING CYLINDER**

Series C200



Codice Code	K	Z	kg	E BSP	L	L1	C	ØT	Codice Code	K	Z	kg
ØD 48 ØAL 40 ØS 20			ØD 48 ØAL 40 ØS 25									
HMOLM0400200100	100	195	1,75	1/4"	32	20	12	50	HMOLM0400250100	100	195	1,90
HMOLM0400200150	150	245	2,09						HMOLM0400250150	150	245	2,31
HMOLM0400200200	200	295	2,43						HMOLM0400250200	200	295	2,72
HMOLM0400200250	250	345	2,76						HMOLM0400250250	250	345	3,14
HMOLM0400200300	300	395	3,09						HMOLM0400250300	300	395	3,53
HMOLM0400200400	400	495	3,78						HMOLM0400250400	400	495	4,35
HMOLM0400200500	500	595	4,46						HMOLM0400250500	500	595	5,17
ØD 58 ØAL 50 ØS 25			ØD 58 ØAL 50 ØS 30									
HMOLM0500250100	100	205	2,60	3/8"	36	22	13	60	HMOLM0500300100	100	205	2,78
HMOLM0500250150	150	255	3,06						HMOLM0500300150	150	255	3,32
HMOLM0500250200	200	305	3,52						HMOLM0500300200	200	305	3,87
HMOLM0500250250	250	355	3,97						HMOLM0500300250	250	355	4,41
HMOLM0500250300	300	405	4,43						HMOLM0500300300	300	405	4,95
HMOLM0500250400	400	505	5,34						HMOLM0500300400	400	505	6,03
HMOLM0500250500	500	605	6,27						HMOLM0500300500	500	605	7,12
ØD 68 ØAL 60 ØS 30			ØD 68 ØAL 60 ØS 35									
HMOLM0600300100	100	220	3,77	3/8"	39	25	13	70	HMOLM0600350100	100	220	3,99
HMOLM0600300150	150	270	4,36						HMOLM0600350150	150	270	4,68
HMOLM0600300200	200	320	4,95						HMOLM0600350200	200	320	5,37
HMOLM0600300250	250	370	5,54						HMOLM0600350250	250	370	6,06
HMOLM0600300300	300	420	6,13						HMOLM0600350300	300	420	6,75
HMOLM0600300400	400	520	7,32						HMOLM0600350400	400	520	8,14
HMOLM0600300500	500	620	8,50						HMOLM0600350500	500	620	9,52
ØD 78 ØAL 70 ØS 35			ØD 78 ØAL 70 ØS 40									
HMOLM0700350100	100	220	4,82	3/8"	39	25	13	80				
HMOLM0700350150	150	270	5,56									
HMOLM0700350200	200	320	6,30						HMOLM0700400200	200	320	6,79
HMOLM0700350250	250	370	7,04						HMOLM0700400250	250	370	7,64
HMOLM0700350300	300	420	7,80						HMOLM0700400300	300	420	8,50
HMOLM0700350400	400	520	9,27						HMOLM0700400400	400	520	10,21
HMOLM0700350500	500	620	10,76						HMOLM0700400500	500	620	11,94

MATERIALE TUBO: ACCIAIO S1 52.3 DIN 2393 ISO H9
TUBE MATERIAL : STEEL S1 52.3 DIN 2393 ISO H9

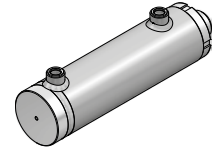
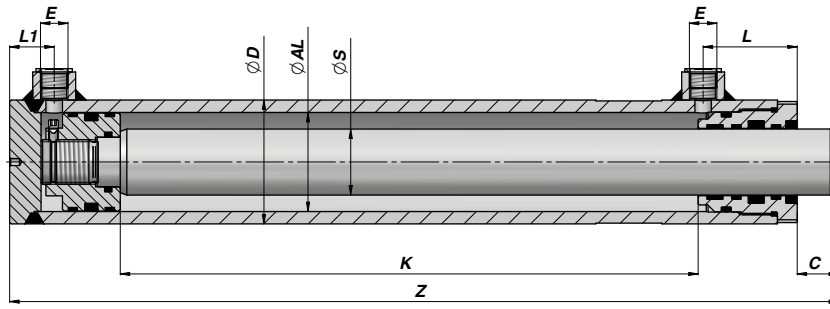
MATERIALE ASTA: ACCIAIO UNI C45 SAE 1045 CROMO 25 µm ±5 Rating 9 / 200h ISO 10289 - 1999/ISO 9227-NSS
ROD MATERIAL : STEEL UNI C45 SAE 1045 CHROME 25 µm ±5 Rating 9 / 200h ISO 10289 - 1999/ISO 9227-NSS

CARATTERISTICHE TECNICHE : VEDI PAGINA 30 - TECHNICAL SPECIFICATIONS : SEE PAGE 30

CILINDRO DOPPIO EFFETTO STANDARD
STANDARD DOUBLE ACTING CYLINDER

NEW! **HMOPM**

Series P350



Codice Code	K	Z	kg	E BSP	L	L1	C	Codice Code	K	Z	kg
ØD 75 ØAL 60 ØS 40											
HMOPM0600400200	200	350	8,71	3/8"	57	30	23				
HMOPM0600400400	400	550	13,12								
HMOPM0600400600	600	750	17,58								
HMOPM0600400800	800	950	22,03								
HMOPM0600401000	1000	1150	26,48								
ØD 85 ØAL 70 ØS 40											
HMOPM0700400200	200	375	11,21	3/8"	60	38	24				
HMOPM0700400400	400	575	16,00								
HMOPM0700400600	600	775	20,81								
HMOPM0700400800	800	975	25,62								
HMOPM0700401000	1000	1175	30,43								
ØD 100 ØAL 80 ØS 50											
HMOPM0800500200	200	395	17,11	1/2"	67	42	28				
HMOPM0800500400	400	595	24,59								
HMOPM0800500600	600	795	32,06								
HMOPM0800500800	800	995	39,53								
HMOPM0800501000	1000	1195	47,01								
ØD 110 ØAL 90 ØS 60											
HMOPM0900600200	200	400	21,44	1/2"	70	48	30				
HMOPM0900600400	400	600	30,75								
HMOPM0900600600	600	800	40,06								
HMOPM0900600800	800	1000	49,37								
HMOPM0900601000	1000	1200	58,69								
ØD 120 ØAL 100 ØS 60											
HMOPM1000600200	200	405	24,33	1/2"	70	47	31				
HMOPM1000600400	400	605	34,13								
HMOPM1000600600	600	805	43,93								
HMOPM1000600800	800	1005	53,73								
HMOPM1000601000	1000	1205	63,53								
ØD 145 ØAL 120 ØS 70											
HMOPM1200700200	200	435	38,95	1/2"	75	58	33				
HMOPM1200700400	400	635	53,11								
HMOPM1200700600	600	835	67,27								
HMOPM1200700800	800	1035	81,42								
HMOPM1200701000	1000	1235	95,59								

Progettato nel rispetto della normativa DNV PART 4 CHAPTER 7 RULES SHIPS / HIGH SPEED, LIGHT CRAFT AND NAVAL SURFACE CRAFT – PRESSURE
 Designed in accordance with the norm DNV PART 4 CHAPTER 7 RULES SHIPS / HIGH SPEED, LIGHT CRAFT AND NAVAL SURFACE CRAFT – PRESSURE

MATERIALE TUBO: ACCIAIO St 52.3 DIN 2391 ISO H8 MATERIALE ASTA: ACCIAIO 20MnV6 CROMO 25 µm ±5 Rating 9 / 200h ISO 10289 – 1999/ISO 9227-NSS
 TUBE MATERIAL : STEEL St 52.3 DIN 2391 ISO H8 ROD MATERIAL : STEEL 20MnV6 CHROME 25 µm ±5 Rating 9 / 200h ISO 10289 – 1999/ISO 9227-NSS

A RICHIESTA - ON REQUEST:

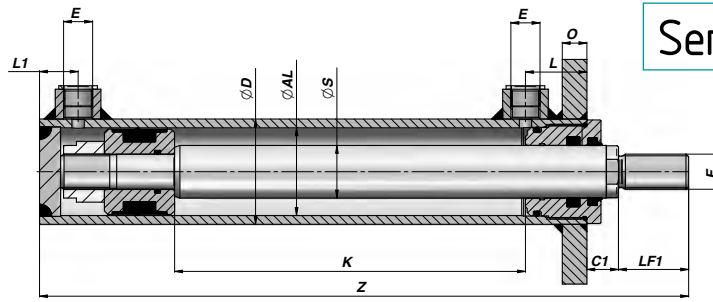
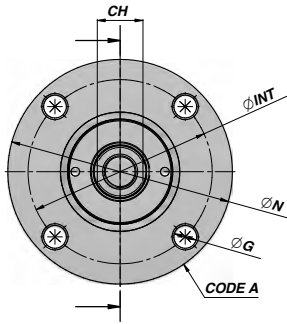
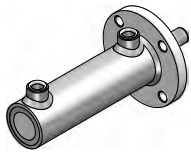
STELO : 42CrMO4 BONIFICATO e TEMPRATO - CROMO 25 µm ±5 Rating 9 / 200h ISO 10289 – 1999/ISO 9227-NSS
 ROD : 42CrMO4 RECLAIMED and INDUCTION-HARDENED - CHROME 25 µm ±5 Rating 9 / 200h ISO 10289 – 1999/ISO 9227-NSS

CARATTERISTICHE TECNICHE : VEDI PAGINA 32 - TECHNICAL SPECIFICATIONS : SEE PAGE 32

HMF

CILINDRO DOPPIO EFFETTO FLANGIATO
DOUBLE ACTING CYLINDER WITH FLANGE

Series M250



Codice Code	K	Z	kg	E BSP	L	L1	F	LF1	CH	C1	ØN	ØINT	ØG	O	Code A
ØD 50 ØAL 40 ØS 20															
HMF1200100	100	250	2,99												
HMF1200200	200	350	3,78												
HMF1200300	300	450	4,58	1/4"	32	25	M16x1.5	30	18	18	109	87	ø 11 x 4	12	CFL0050109
HMF1200400	400	550	5,38												
HMF1200500	500	650	6,17												
ØD 60 ØAL 50 ØS 30															
HMF2300100	100	270	4,65												
HMF2300200	200	370	5,84												
HMF2300300	300	470	7,08	3/8"	35	25	M20x1.5	40	26	18	128	105	ø 13 x 4	14	CFL0060128
HMF2300400	400	570	8,30												
HMF2300500	500	670	9,54												
ØD 70 ØAL 60 ØS 35															
HMF3350100	100	300	6,73												
HMF3350200	200	400	8,28												
HMF3350300	300	500	9,89	3/8"	40	30	M27x2	50	32	20	142	117	ø 13 x 4	16	CFL0070142
HMF3350400	400	600	11,36												
HMF3350500	500	700	12,94												
ØD 80 ØAL 70 ØS 40															
HMF4400100	100	312	8,64												
HMF4400200	200	412	10,55												
HMF4400300	300	512	12,46	3/8"	40	30	M30x2	60	36	22	162	127	ø 15 x 4	16	CFL0080162
HMF4400400	400	612	14,23												
HMF4400500	500	712	16,27												
ØD 95 ØAL 80 ØS 50															
HMF5500100	100	345	13,71												
HMF5500200	200	445	16,78												
HMF5500300	300	545	19,92	1/2"	50	40	M36x2	70	45	25	181	149	ø 17 x 6	18	CFL0095181
HMF5500400	400	645	23,15												
HMF5500500	500	745	26,22												
ØD 115 ØAL 100 ØS 50															
HMF6500100	100	375	20,31												
HMF6500200	200	475	23,82												
HMF6500300	300	575	27,35	1/2"	70	40	M36x2	70	45	27	194	162	ø 17 x 6	24	CFL0115194
HMF6500400	400	675	30,86												
HMF6500500	500	775	34,37												

MATERIALE TUBO: ACCIAIO St 52.3 DIN 2393 ISO H9
TUBE MATERIAL : STEEL St 52.3 DIN 2393 ISO H9

MATERIALE ASTA: ACCIAIO UNI C45 SAE 1045 CROMO 25 µm ±5 Rating 9 / 200h ISO 10289 - 1999/ISO 9227-NSS
ROD MATERIAL : STEEL UNI C45 SAE 1045 CHROME 25 µm ±5 Rating 9 / 200h ISO 10289 - 1999/ISO 9227-NSS

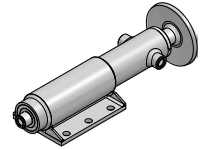
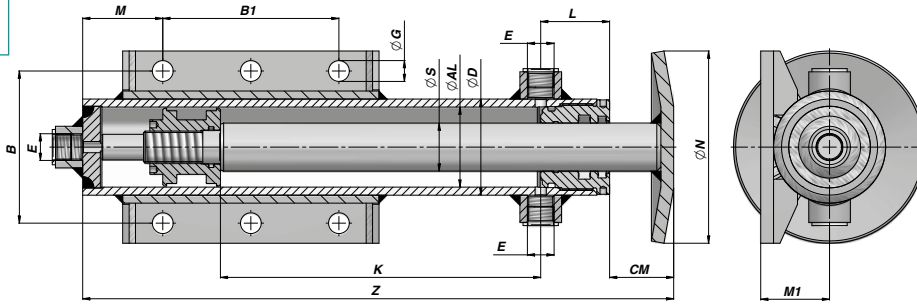
CARATTERISTICHE TECNICHE : VEDI PAGINA 30 - TECHNICAL SPECIFICATIONS : SEE PAGE 30

CILINDRO STABILIZZATORE
HYDRAULIC STABILIZER CYLINDER

NEW!

HMS

Series M250



Codice Code	K	Z	kg	E BSP	L	CM	ØN	M1	B	M	B1	ØG	Codice Code	K	Z	kg
ØD 50 ØAL 40 ØS 25																
HMS00400250200	200	369	6,36	3/8"	40	40	110	38	85	50	100	13				
HMS00400250300	300	469	7,30													
HMS00400250400	400	569	8,23													
HMS00400250500	500	669	9,17													
HMS00400250600	600	769	10,11													
ØD 60 ØAL 50 ØS 30																
HMS00500300200	200	369	8,19	3/8"	43	40	120	43	95	50	110	13				
HMS00500300300	300	469	9,42													
HMS00500300400	400	569	10,65													
HMS00500300500	500	669	11,87													
HMS00500300600	600	769	13,11													
ØD 70 ØAL 60 ØS 35													ØD 70 ØAL 60 ØS 40			
HMS00600350200	200	371	11,10	3/8"	50	40	130	50	105	53	125	13	HMS00600400200	200	371	11,65
HMS00600350300	300	471	12,65										HMS00600400300	300	471	13,43
HMS00600350400	400	571	14,20										HMS00600400400	400	571	15,21
HMS00600350500	500	671	15,75										HMS00600400500	500	671	16,99
HMS00600350600	600	771	17,30										HMS00600400600	600	771	18,77
ØD 80 ØAL 70 ØS 40													ØD 80 ØAL 70 ØS 50			
HMS00700400200	200	410	14,16	1/2"	50	50	150	55	120	53	125	15	HMS00700500200	200	410	14,70
HMS00700400300	300	510	15,83										HMS00700500300	300	510	16,60
HMS00700400400	400	610	17,51										HMS00700500400	400	610	18,51
HMS00700400500	500	710	19,18										HMS00700500500	500	710	19,49
HMS00700400600	600	810	20,85										HMS00700500600	600	810	22,31
ØD 90 ØAL 80 ØS 40													ØD 90 ØAL 80 ØS 50			
HMS00800400200	200	410	17,69	1/2"	60	50	160	62	125	58	145	15	HMS00800500200	200	410	19,04
HMS00800400300	300	510	19,72										HMS00800500300	300	510	21,62
HMS00800400400	400	610	21,74										HMS00800500400	400	610	24,20
HMS00800400500	500	710	23,77										HMS00800500500	500	710	26,78
HMS00800400600	600	810	25,80										HMS00800500600	600	810	29,36
ØD 100 ØAL 90 ØS 40													ØD 100 ØAL 90 ØS 50			
HMS00900400200	200	410	20,30	1/2"	60	50	170	67	135	60	150	15	HMS00900500200	200	410	21,65
HMS00900400300	300	510	22,45										HMS00900500300	300	510	24,35
HMS00900400400	400	610	24,59										HMS00900500400	400	610	27,05
HMS00900400500	500	710	26,74										HMS00900500500	500	710	29,76
HMS00900400600	600	810	28,89										HMS00900500600	600	810	32,46
ØD 110 ØAL 100 ØS 50													ØD 110 ØAL 100 ØS 60			
HMS01000500200	200	420	26,92	1/2"	82	60	180	73	145	60	170	15	HMS01000600200	200	420	28,61
HMS01000500300	300	520	29,74										HMS01000600300	300	520	32,11
HMS01000500400	400	620	32,57										HMS01000600400	400	620	35,61
HMS01000500500	500	720	35,39										HMS01000600500	500	720	39,11
HMS01000500600	600	820	38,22										HMS01000600600	600	820	42,61

MATERIALE TUBO: ACCIAIO St 52.3 DIN 2393 ISO H9
TUBE MATERIAL : STEEL St 52.3 DIN 2393 ISO H9

MATERIALE ASTA: ACCIAIO UNI C45 SAE 1045 CROMO 25 µm ±5 Rating 9 / 200h ISO 10289 - 1999/ISO 9227-NSS
ROD MATERIAL : STEEL UNI C45 SAE 1045 CHROME 25 µm ±5 Rating 9 / 200h ISO 10289 - 1999/ISO 9227-NSS

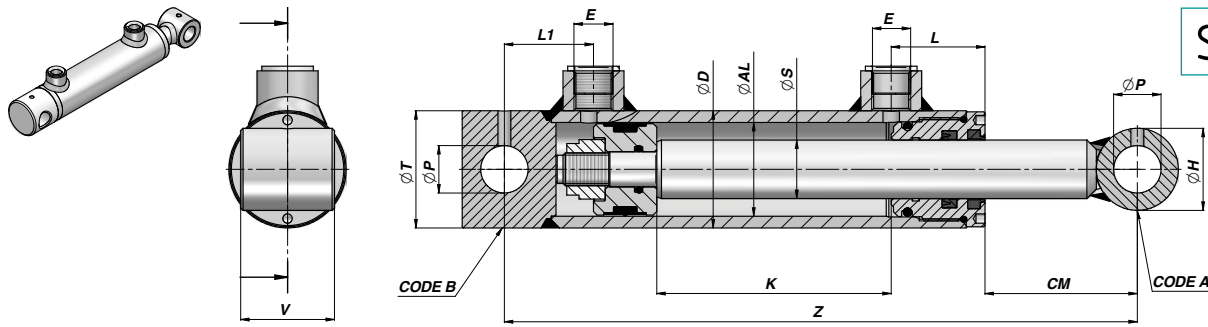
ALTRE MISURE A RICHIESTA - OTHER DIMENSIONS ON REQUEST

CARATTERISTICHE TECNICHE : VEDI PAGINA 34 - TECHNICAL SPECIFICATIONS : SEE PAGE 34

HFR2S

CILINDRO DOPPIO EFFETTO TIPO "HFR2S"
DOUBLE ACTING CYLINDER "HFR2S" TYPE

Series M250



Codice Code	K	Z	kg	E BSP	L	L1	CM	ØP	ØH	V	ØT	Code A	Code B	Codice Code	K	Z	kg
ØD 35 ØAL 25 ØS 16																	
HFR0160050	50	160	0,92														
HFR0160100	100	210	1,18														
HFR0160150	150	260	1,45	1/4"	33	22	31	12,10	25	25	35	CBF0012025025	CFHR035025				
HFR0160200	200	310	1,71														
ØD 42 ØAL 32 ØS 20																	
HFR0200050	50	205	1,71														
HFR0200100	100	255	2,06														
HFR0200150	150	305	2,41														
HFR0200200	200	355	2,76														
HFR0200250	250	405	3,11	1/4"	33	35	51	16,20	30	35	40	CBF0016030035	CFHR040032				
HFR0200300	300	455	3,46														
HFR0200400	400	555	4,16														
HFR0200500	500	655	4,86														
HFR0200600	600	755	5,56														
HFR0200700	700	855	6,26														
ØD 50 ØAL 40 ØS 25																	
HFR2S0400250100	100	270	2,94														
HFR2S0400250150	150	320	3,41														
HFR2S0400250200	200	370	3,88														
HFR2S0400250250	250	420	4,35														
HFR2S0400250300	300	470	4,81														
HFR2S0400250400	400	570	5,75	3/8"	40	38	65	20,25	35	40	50	CBF1020035040	CFHR040020040				
HFR2S0400250500	500	670	6,69														
HFR2S0400250600	600	770	7,62														
HFR2S0400250700	700	870	8,56														
HFR2S0400250800	800	970	9,50														
HFR2S0400251000	1000	1170	11,37														
ØD 60 ØAL 50 ØS 30																	
HFR2S0500300100	100	300	4,41														
HFR2S0500300150	150	350	5,02														
HFR2S0500300200	200	400	5,64														
HFR2S0500300250	250	450	6,25														
HFR2S0500300300	300	500	6,86														
HFR2S0500300400	400	600	8,09														
HFR2S0500300500	500	700	9,32	3/8"	43	42	85	25,25	40	45	60	CBF1025040045	CFHR050025049				
HFR2S0500300600	600	800	10,55														
HFR2S0500300700	700	900	11,78														
HFR2S0500300800	800	1000	13,00														
HFR2S0500300900	900	1100	14,24														
HFR2S0500301000	1000	1200	15,46														

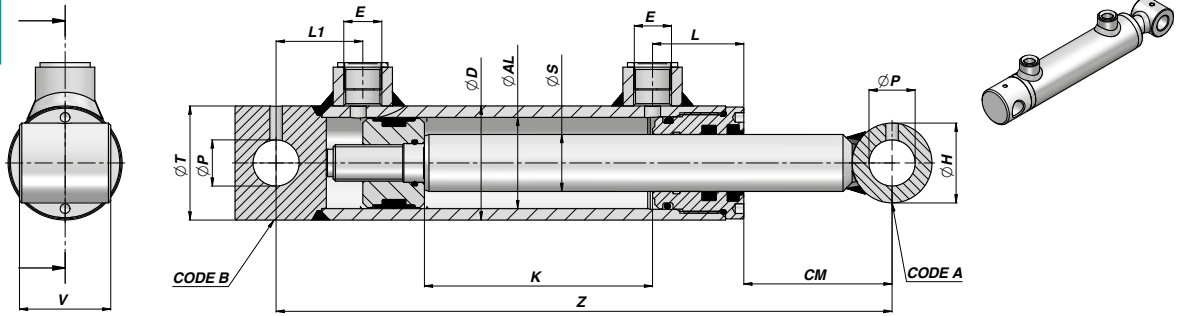
NEW!
NEW!

NEW!

CILINDRO DOPPIO EFFETTO TIPO "HFR2S"
DOUBLE ACTING CYLINDER "HFR2S" TYPE

HFR2S

Series M250



Codice Code	K	Z	kg	E BSP	L	L1	CM	ØP	ØH	V	ØT	Code A	Code B	Codice Code	K	Z	kg
ØD 70 ØAL 60 ØS 30														ØD 70 ØAL 60 ØS 35			
HFR2S0600300100	100	300	5,53											HFR2S0600350100	100	300	5,85
HFR2S0600300150	150	350	6,21											HFR2S0600350150	150	350	6,62
HFR2S0600300200	200	400	6,89											HFR2S0600350200	200	400	7,40
HFR2S0600300250	250	450	7,56											HFR2S0600350250	250	450	8,18
HFR2S0600300300	300	500	8,23											HFR2S0600350300	300	500	8,96
HFR2S0600300350	350	550	8,91											HFR2S0600350350	350	550	9,73
HFR2S0600300400	400	600	9,58											HFR2S0600350400	400	600	10,51
HFR2S0600300450	450	650	10,26											HFR2S0600350450	450	650	11,28
HFR2S0600300500	500	700	10,94											HFR2S0600350500	500	700	12,06
HFR2S0600300600	600	800	12,29											HFR2S0600350600	600	800	13,61
HFR2S0600300700	700	900	13,64											HFR2S0600350700	700	900	15,16
														HFR2S0600350800	800	1000	16,71
														HFR2S0600350900	900	1100	18,27
														HFR2S0600351000	1000	1200	19,82
ØD 80 ØAL 70 ØS 40																	
HFR2S0700400200	200	410	10,07														
HFR2S0700400250	250	460	11,03														
HFR2S0700400300	300	510	11,99														
HFR2S0700400350	350	560	12,94														
HFR2S0700400400	400	610	13,89														
HFR2S0700400450	450	660	14,84														
HFR2S0700400500	500	710	15,80														
HFR2S0700400600	600	810	17,70														
HFR2S0700400700	700	910	19,61														
HFR2S0700400800	800	1010	21,51														
HFR2S0700400900	900	1110	23,42														
NEW! HFR2S0700401000	1000	1210	25,32														
ØD 92 ØAL 80 ØS 40																	
HFR2S0800400200	200	410	12,85														
HFR2S0800400250	250	460	13,98														
HFR2S0800400300	300	510	15,10														
HFR2S0800400350	350	560	16,23														
HFR2S0800400400	400	610	17,35														
HFR2S0800400500	500	710	19,60														
HFR2S0800400600	600	810	21,85														
HFR2S0800400700	700	910	24,10														
HFR2S0800400800	800	1010	26,36														
HFR2S0800400900	900	1110	28,61														
HFR2S0800401000	1000	1210	30,85														
ØD 115 ØAL 100 ØS 50																	
HFR2S1000500200	200	425	21,44														
HFR2S1000500300	300	525	24,96														
HFR2S1000500400	400	625	28,47														
HFR2S1000500500	500	725	31,99														
HFR2S1000500700	700	925	39,02														
HFR2S1000500900	900	1125	46,06														
HFR2S1000501000	1000	1225	49,58														

MATERIALE TUBO : ACCIAIO St 52.3 DIN 2393 ISO H9
TUBE MATERIAL : STEEL St 52.3 DIN 2393 ISO H9

MATERIALE ASTA : ACCIAIO UNI C45 SAE 1045 CROMO 25 µm ±5 Rating 9 / 200h (ø16 120h) ISO 10289 - 1999/ISO 9227-NSS
ROD MATERIAL : STEEL UNI C45 SAE 1045 CHROME 25 µm ±5 Rating 9 / 200h (ø16 120h) ISO 10289 - 1999/ISO 9227-NSS

A RICHIESTA - ON REQUEST:

CILINDRI CON INGRASSATORI CODICE ANGL000550 (VEDI PAGINA 103)

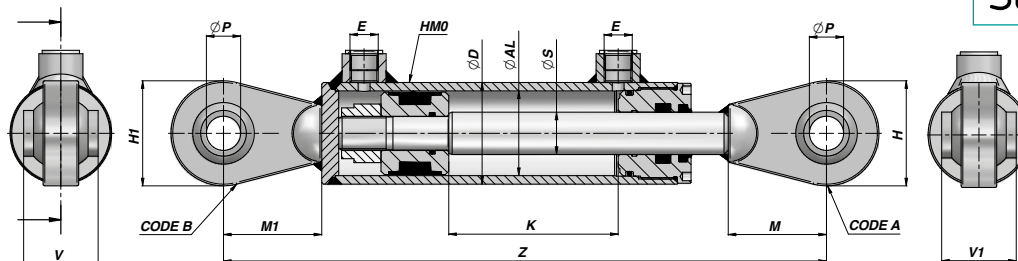
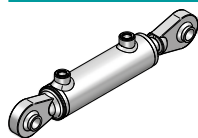
CYLINDERS WITH GREASE NIPPLES CODE ANGL000550 (SEE PAGE 103)

CARATTERISTICHE TECNICHE : VEDI PAGINA 30 - TECHNICAL SPECIFICATIONS : SEE PAGE 30

HM1

CILINDRO DOPPIO EFFETTO STANDARD CON ATTACCHI
DOUBLE ACTING CYLINDER WITH ENDS

Series M250

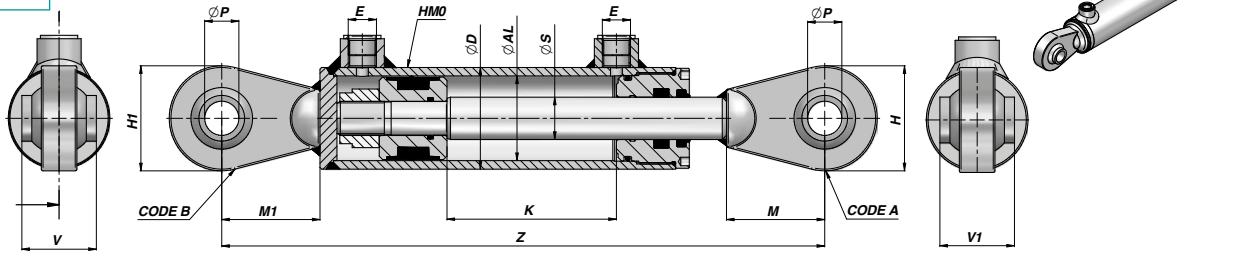


Codice Code	K	Z	kg	E BSP	ØP	H	V	M	H1	V1	M1	Code A	Code B	Codice Code	K	Z	kg
ØD 42 ØAL 32 ØS 20																	
HM1032200050	50	275	1,84														
HM1032200100	100	325	2,18														
HM1032200150	150	375	2,53														
HM1032200200	200	425	2,88														
HM1032200250	250	475	3,24														
HM1032200300	300	525	3,58														
HM1032200400	400	625	4,28														
HM1032200500	500	725	4,98														
ØD 50 ØAL 40 ØS 20																	
HM11200100	100	350	2,84														
HM11200150	150	400	3,24														
HM11200200	200	450	3,64														
HM11200250	250	500	4,04														
HM11200300	300	550	4,46														
HM11200350	350	600	4,86														
HM11200400	400	650	5,26														
HM11200450	450	700	5,66														
HM11200500	500	750	6,06														
ØD 60 ØAL 50 ØS 25																	
HM12250100	100	356	4,83														
HM12250150	150	406	5,38														
HM12250200	200	456	5,91														
HM12250250	250	506	6,44														
HM12250300	300	556	6,97														
HM12250350	350	606	7,50														
HM12250400	400	656	8,03														
HM12250450	450	706	8,56														
HM12250500	500	756	9,06														
HM12250550	550	806	9,62														
HM12250600	600	856	10,15														
HM12250700 NEW!	700	956	11,21														
HM12250800	800	1056	12,27														
HM12251000	1000	1256	14,39														
ØD 60 ØAL 50 ØS 30																	
HM12300100 NEW!	100	356	5,06														
HM12300150 NEW!	150	406	5,68														
HM12300200	200	456	6,29														
HM12300250	250	506	6,91														
HM12300300	300	556	7,53														
HM12300350	350	606	8,14														
HM12300400	400	656	8,75														
HM12300450	450	706	9,36														
HM12300500	500	756	9,95														
HM12300550	550	806	10,60														
HM12300600	600	856	11,20														
HM12300700	700	956	12,40														
HM12300800	800	1056	13,64														
HM12301000	1000	1256	16,12														
ØD 70 ØAL 60 ØS 30																	
HM13300100	100	390	7,44														
HM13300150	150	440	8,11														
HM13300200	200	490	8,78														
HM13300250	250	540	9,46														
HM13300300	300	590	10,14														
HM13300350	350	640	10,82														
HM13300400	400	690	11,47														
HM13300450	450	740	12,17														
HM13300500	500	790	12,84														
HM13300550	550	840	13,52														
HM13300600	600	890	14,17														
HM13300700 NEW!	700	990	15,55														
HM13300800	800	1090	16,90														
HM13301000	1000	1290	19,60														
ØD 70 ØAL 60 ØS 35																	
HM13350100	100	390	7,65														
HM13350150	150	440	8,42														
HM13350200	200	490	9,20														
HM13350250	250	540	9,98														
HM13350300	300	590	10,79														
HM13350350	350	640	11,56														
HM13350400	400	690	12,32														
HM13350450	450	740	13,10														
HM13350500	500	790	13,89														
HM13350550	550	840	14,63														
HM13350600	600	890	15,41														
HM13350700 NEW!	700	990	17,00														
HM13350800	800	1090	18,51														
HM13351000	1000	1290	21,61														

CILINDRO DOPPIO EFFETTO STANDARD CON ATTACCHI
DOUBLE ACTING CYLINDER WITH ENDS

HM1

Series M250



Codice Code	K	Z	kg	E BSP	ØP	H	V	M	H1	V1	M1	Code A	Code B	Codice Code	K	Z	kg
ØD 70 ØAL 60 ØS 40														ØD 73 ØAL 63 ØS 40			
HM13400200	200	490	9,88											HM1063400200	200	490	10,08
HM13400250	250	540	10,78											HM1063400250	250	540	10,99
HM13400300	300	590	11,66											HM1063400300	300	590	11,90
HM13400350	350	640	12,56											HM1063400350	350	640	12,81
HM13400400	400	690	13,44											HM1063400400	400	690	13,72
HM13400450	450	740	14,34											HM1063400450	450	740	14,63
HM13400500	500	790	15,19	3/8"	25,4	75	51	65	75	51	65	CSR0010740	CSR0010740	HM1063400500	500	790	15,54
HM13400550	550	840	16,13											HM1063400550	550	840	16,45
HM13400600	600	890	17,00											HM1063400600	600	890	17,36
HM13400700 NEW!	700	990	18,80											HM1063400700 NEW!	700	990	19,19
HM13400800	800	1090	20,57											HM1063400800	800	1090	21,00
HM13401000	1000	1290	24,14											HM1063401000	1000	1290	24,64
ØD 80 ØAL 70 ØS 35														ØD 80 ØAL 70 ØS 40			
HM14350100	100	390	8,66											HM14400100 NEW!	100	390	9,05
HM14350150	150	440	9,50											HM14400150 NEW!	150	440	10,00
HM14350200	200	490	10,30											HM14400200	200	490	10,91
HM14350250	250	540	11,22											HM14400250	250	540	11,90
HM14350300	300	590	12,05											HM14400300	300	590	12,86
HM14350350	350	640	12,89											HM14400350	350	640	13,81
HM14350400	400	690	13,73	3/8"	25,4	75	51	65	75	51	65	CSR0010740	CSR0010740	HM14400400	400	690	14,72
HM14350450	450	740	14,57											HM14400450	450	740	15,67
HM14350500	500	790	15,40											HM14400500	500	790	16,63
HM14350550	550	840	16,24											HM14400550	550	840	17,58
HM14350600	600	890	17,07											HM14400600	600	890	18,53
HM14350700 NEW!	700	990	18,71											HM14400700 NEW!	700	990	20,48
HM14350800	800	1090	20,43											HM14400800	800	1090	22,38
HM14351000	1000	1290	23,77											HM14401000	1000	1290	26,19
ØD 92 ØAL 80 ØS 40														ØD 92 ØAL 80 ØS 50			
HM15400200	200	510	14,08											HM15500200	200	510	15,37
HM15400250	250	560	15,24											HM15500250	250	560	16,76
HM15400300	300	610	16,41											HM15500300	300	610	18,18
HM15400400	400	710	18,66											HM15500400	400	710	20,98
HM15400500	500	810	20,91	1/2"	30,2	83	55	65	83	55	65	CSR0010810	CSR0010810	HM15500500	500	810	23,79
HM15400600	600	910	23,16											HM15500600	600	910	26,60
HM15400700 NEW!	700	1010	25,45											HM15500700 NEW!	700	1010	29,48
HM15400800	800	1110	27,67											HM15500800	800	1110	32,21
HM15401000	1000	1310	32,16											HM15501000	1000	1310	37,82
ØD 105 ØAL 90 ØS 50																	
HM1090500300	300	656	27,11														
HM1090500400	400	756	30,44														
HM1090500500	500	856	33,78														
HM1090500600	600	956	37,11	1/2"	40,2	108	75	85	108	75	85	CSR0010820	CSR0010820				
HM1090500700 NEW!	700	1056	40,44														
HM1090500800	800	1156	43,76														
HM1090501000	1000	1356	50,44														
ØD 115 ØAL 100 ØS 50														ØD 115 ØAL 100 ØS 60			
HM16500200	200	580	27,43														
HM16500250	250	630	29,18														
HM16500300	300	680	30,94														
HM16500400	400	780	34,36														
HM16500500	500	880	37,98	1/2"	40,2	108	75	85	108	75	85	CSR0010820	CSR0010820	HM16600300	300	680	33,15
HM16500600	600	980	41,49											HM16600400	400	780	37,35
HM16500700 NEW!	700	1080	45,10											HM16600500	500	880	41,55
HM16500800	800	1180	48,53											HM16600600	600	980	45,74
HM16501000	1000	1380	55,56											HM16600700 NEW!	700	1080	49,88
														HM16600800	800	1180	54,13
														HM16601000	1000	1380	62,52

MATERIALE TUBO: ACCIAIO S1 52.3 DIN 2393 ISO H9
TUBE MATERIAL : STEEL S1 52.3 DIN 2393 ISO H9

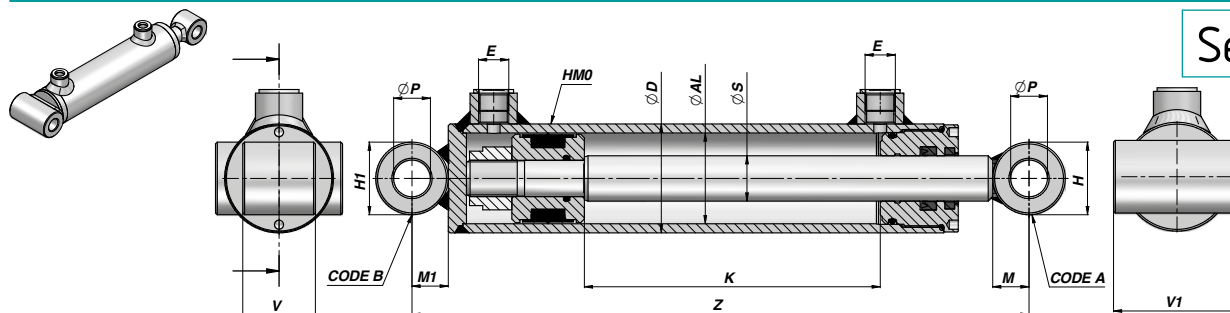
MATERIALE ASTA: ACCIAIO UNI C45 SAE 1045 CROMO 25 µm ±5 Rating 9 / 200h ISO 10289 - 1999/ISO 9227-NSS
ROD MATERIAL : STEEL UNI C45 SAE 1045 CHROME 25 µm ±5 Rating 9 / 200h ISO 10289 - 1999/ISO 9227-NSS

CARATTERISTICHE TECNICHE : VEDI PAGINA 36 - TECHNICAL SPECIFICATIONS : SEE PAGE 36

HM2

CILINDRO DOPPIO EFFETTO STANDARD CON ATTACCHI
DOUBLE ACTING CYLINDER WITH ENDS

Series M250

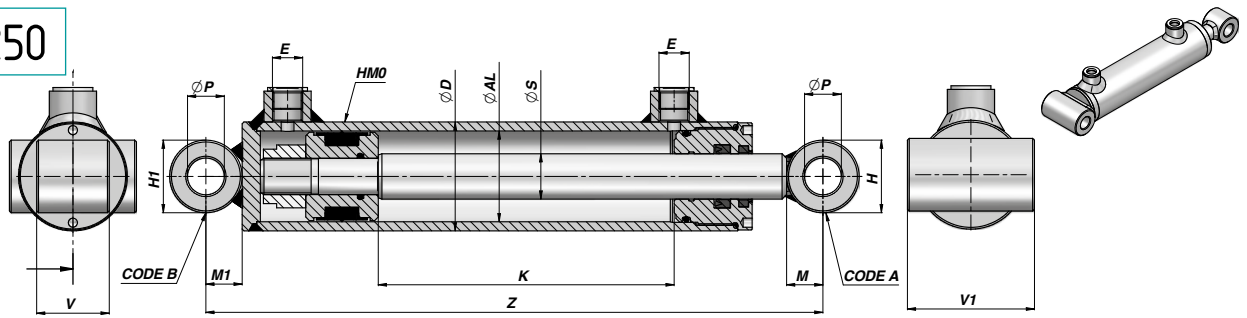


Codice Code	K	Z	kg	E BSP	ØP	H	V	M	H1	V1	M1	Code A	Code B	Codice Code	K	Z	kg	
ØD 42 ØAL 32 ØS 20																		
HM2032200050	50	190	1,82															
HM2032200100	100	240	2,16															
HM2032200150	150	290	2,52															
HM2032200200	200	340	2,86															
HM2032200250	250	390	3,22															
HM2032200300	300	440	3,56															
HM2032200400	400	540	4,26															
HM2032200500	500	640	4,98															
ØD 50 ØAL 40 ØS 20															ØD 50 ØAL 40 ØS 25			
HM21200100	100	265	2,82											HM21250100	100	265	3,01	
HM21200150	150	315	3,23											HM21250150	150	315	3,46	
HM21200200	200	365	3,63											HM21250200	200	365	3,95	
HM21200250	250	415	4,03											HM21250250	250	415	4,39	
HM21200300	300	465	4,43											HM21250300	300	465	4,89	
HM21200350	350	515	4,83											HM21250350	350	515	5,35	
HM21200400	400	565	5,23											HM21250400	400	565	5,80	
HM21200450	450	615	5,63											HM21250450	450	615	6,28	
HM21200500	500	665	6,03											HM21250500	500	665	6,74	
														HM21250550	550	715	7,21	
														HM21250600	600	765	7,68	
ØD 60 ØAL 50 ØS 25														ØD 60 ØAL 50 ØS 30				
HM22250100	100	280	4,11											HM22300100	100	280	4,35	
HM22250150	150	330	4,67											HM22300150	150	330	4,95	
HM22250200	200	380	5,19											HM22300200	200	380	5,64	
HM22250250	250	430	5,73											HM22300250	250	430	6,18	
HM22250300	300	480	6,25											HM22300300	300	480	6,80	
HM22250350	350	530	6,78											HM22300350	350	530	7,41	
HM22250400	400	580	7,31											HM22300400	400	580	8,02	
HM22250450	450	630	7,83											HM22300450	450	630	8,64	
HM22250500	500	680	8,36											HM22300500	500	680	9,25	
HM22250550	550	730	8,90											HM22300550	550	730	9,88	
HM22250600	600	780	9,41											HM22300600	600	780	10,48	
HM22250700	700	880	10,50											HM22300700	700	880	11,69	
HM22250800	800	980	11,54											HM22300800	800	980	12,94	
HM22251000	1000	1180	13,66											HM22301000	1000	1180	15,39	
ØD 70 ØAL 60 ØS 30														ØD 70 ØAL 60 ØS 35				
HM23300100	100	310	6,37											HM23350100	100	310	6,65	
HM23300150	150	360	7,06											HM23350150	150	360	7,43	
HM23300200	200	410	7,74											HM23350200	200	410	8,20	
HM23300250	250	460	8,42											HM23350250	250	460	8,98	
HM23300300	300	510	9,09											HM23350300	300	510	9,75	
HM23300350	350	560	9,77											HM23350350	350	560	10,53	
HM23300400	400	610	10,44											HM23350400	400	610	11,31	
HM23300450	450	660	11,12											HM23350450	450	660	12,08	
HM23300500	500	710	11,78											HM23350500	500	710	12,82	
HM23300550	550	760	12,47											HM23350550	550	760	13,63	
HM23300600	600	810	13,15											HM23350600	600	810	14,41	
HM23300700	700	910	14,50											HM23350700	700	910	15,94	
HM23300800	800	1010	15,84											HM23350800	800	1010	17,51	
HM23301000	1000	1210	18,55											HM23351000	1000	1210	20,61	

CILINDRO DOPPIO EFFETTO STANDARD CON ATTACCHI
DOUBLE ACTING CYLINDER WITH ENDS

HM2

Series M250



Codice Code	K	Z	kg	E BSP	ØP	H	V	M	H1	V1	M1	Code A	Code B	Codice Code	K	Z	kg	
ØD 70 ØAL 60 ØS 40															ØD 73 ØAL 63 ØS 40			
HM23400200	200	410	8,82											HM2063400200	200	410	9,08	
HM23400250	250	460	9,71											HM2063400250	250	460	9,98	
HM23400300	300	510	10,60											HM2063400300	300	510	10,89	
HM23400350	350	560	11,49											HM2063400350	350	560	11,81	
HM23400400	400	610	12,40											HM2063400400	400	610	12,72	
HM23400450	450	660	13,29											HM2063400450	450	660	13,63	
HM23400500	500	710	14,17	3/8"	25,25	50	50	25	50	80	25	CB25050050	CB25050080	HM2063400500	500	710	14,54	
HM23400550	550	760	15,05											HM2063400550	550	760	15,45	
HM23400600	600	810	15,95											HM2063400600	600	810	16,35	
HM23400700 NEW!	700	910	17,79											HM2063400700 NEW!	700	910	18,18	
HM23400800	800	1010	19,53											HM2063400800	800	1010	20,00	
HM23401000	1000	1210	23,10											HM2063401000	1000	1210	23,65	
ØD 80 ØAL 70 ØS 35															ØD 80 ØAL 70 ØS 40			
HM24350100	100	310	7,70											HM24400100 NEW!	100	310	8,15	
HM24350150	150	360	8,61											HM24400150 NEW!	150	360	9,11	
HM24350200	200	410	9,45											HM24400200	200	410	10,01	
HM24350250	250	460	10,25											HM24400250	250	460	11,02	
HM24350300	300	510	11,09											HM24400300	300	510	11,97	
HM24350350	350	560	11,96											HM24400350	350	560	12,87	
HM24350400	400	610	12,80	3/8"	25,25	50	50	25	50	90	25	CB25050050	CB25050090	HM24400400	400	610	13,83	
HM24350450	450	660	13,63											HM24400450	450	660	14,80	
HM24350500	500	710	14,41											HM24400500	500	710	15,73	
HM24350550	550	760	15,31											HM24400550	550	760	16,76	
HM24350600	600	810	16,07											HM24400600	600	810	17,63	
HM24350700 NEW!	700	910	17,82											HM24400700 NEW!	700	910	19,59	
HM24350800	800	1010	19,49											HM24400800	800	1010	21,47	
HM24351000	1000	1210	22,84											HM24401000	1000	1210	25,28	
ØD 92 ØAL 80 ØS 40															ØD 92 ØAL 80 ØS 50			
HM25400200	200	440	14,06											HM25500200	200	440	15,32	
HM25400250	250	490	15,19											HM25500250	250	490	16,76	
HM25400300	300	540	16,31											HM25500300	300	540	18,12	
HM25400400	400	640	18,56											HM25500400	400	640	20,93	
HM25400500	500	740	20,81	1/2"	30,25	60	60	30	60	110	30	CB30060060	CB30060110	HM25500500	500	740	23,74	
HM25400600	600	840	23,06											HM25500600	600	840	26,54	
HM25400700 NEW!	700	940	25,32											HM25500700 NEW!	700	940	29,35	
HM25400800	800	1040	27,65											HM25500800	800	1040	32,15	
HM25401000	1000	1240	32,06											HM25501000	1000	1240	37,76	
ØD 105 ØAL 90 ØS 50																		
HM2090500300	300	556	23,50															
HM2090500400	400	656	26,83															
HM2090500500	500	756	30,16															
HM2090500600	600	856	33,50	1/2"	40,25	70	70	35	70	130	35	CB40070070	CB40070130					
HM2090500700 NEW!	700	956	36,98															
HM2090500800	800	1056	40,17															
HM2090501000	1000	1256	46,83															
ØD 115 ØAL 100 ØS 50															ØD 115 ØAL 100 ØS 60			
HM26500200	200	480	23,69															
HM26500250	250	530	25,72															
HM26500300	300	580	27,35											HM26600300	300	580	29,49	
HM26500400	400	680	30,99											HM26600400	400	680	33,61	
HM26500500	500	780	34,38	1/2"	40,25	70	70	35	70	130	35	CB40070070	CB40070130	HM26600500	500	780	38,04	
HM26500600	600	880	38,03											HM26600600	600	880	42,00	
HM26500700 NEW!	700	980	41,54											HM26600700 NEW!	700	980	46,44	
HM26500800	800	1080	44,80											HM26600800	800	1080	50,63	
HM26501000	1000	1280	52,09											HM26601000	1000	1280	58,78	

MATERIALE TUBO: ACCIAIO St 52.3 DIN 2393 ISO H9
TUBE MATERIAL : STEEL St 52.3 DIN 2393 ISO H9

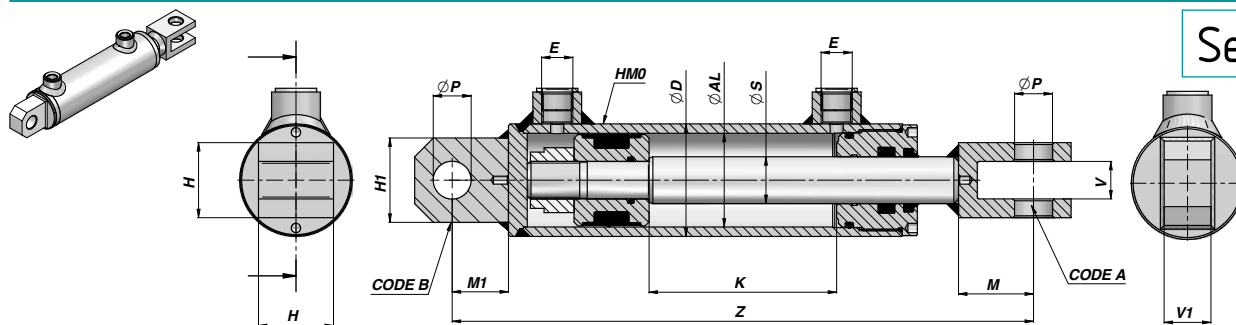
MATERIALE ASTA: ACCIAIO UNI C45 SAE 1045 CROMO 25 µm ±5 Rating 9 / 200h ISO 10289 - 1999/ISO 9227-NSS
ROD MATERIAL : STEEL UNI C45 SAE 1045 CHROME 25 µm ±5 Rating 9 / 200h ISO 10289 - 1999/ISO 9227-NSS

CARATTERISTICHE TECNICHE : VEDI PAGINA 36 - TECHNICAL SPECIFICATIONS : SEE PAGE 36

HM5

CILINDRO DOPPIO EFFETTO STANDARD CON ATTACCHI
DOUBLE ACTING CYLINDER WITH ENDS

Series M250

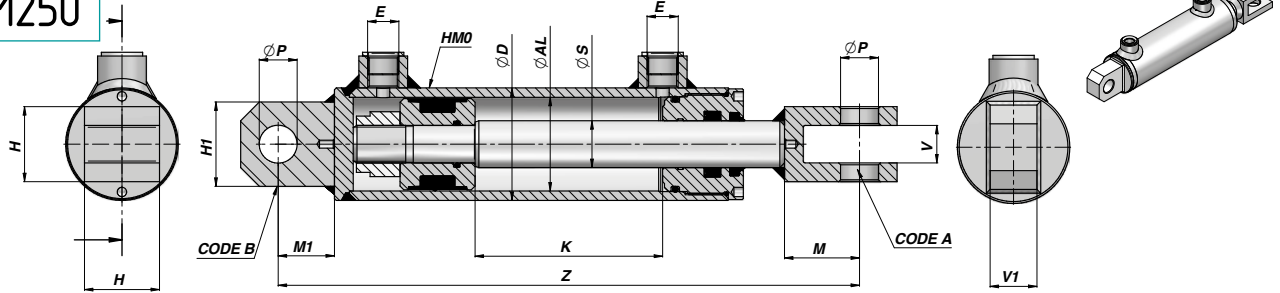


Codice Code	K	Z	kg	E BSP	ØP	H	V	M	H1	V1	M1	Code A	Code B	Codice Code	K	Z	kg
ØD 42 ØAL 32 ØS 20																	
HM5032200050	50	214	1,75														
HM5032200100	100	264	2,10														
HM5032200150	150	314	2,45														
HM5032200200	200	364	2,80														
HM5032200250	250	414	3,15														
HM5032200300	300	464	3,50														
HM5032200400	400	564	4,20														
HM5032200500	500	664	4,90														
ØD 50 ØAL 40 ØS 20													ØD 50 ØAL 40 ØS 25				
HM51200100	100	289	2,77											HM51250100	100	289	2,94
HM51200150	150	339	3,16											HM51250150	150	339	3,40
HM51200200	200	389	3,56											HM51250200	200	389	3,87
HM51200250	250	439	3,97											HM51250250	250	439	4,33
HM51200300	300	489	4,36											HM51250300	300	489	4,81
HM51200350	350	539	4,77											HM51250350	350	539	5,27
HM51200400	400	589	5,16											HM51250400	400	589	5,74
HM51200450	450	639	5,57											HM51250450	450	639	6,22
HM51200500	500	689	5,97											HM51250500	500	689	6,68
														HM51250550	550	739	7,15
														HM51250600	600	789	7,61
ØD 60 ØAL 50 ØS 25													ØD 60 ØAL 50 ØS 30				
HM52250100	100	310	4,05											HM52300100	100	310	4,25
HM52250150	150	360	4,60											HM52300150	150	360	4,87
HM52250200	200	410	5,14											HM52300200	200	410	5,48
HM52250250	250	460	5,63											HM52300250	250	460	6,11
HM52250300	300	510	6,16											HM52300300	300	510	6,74
HM52250350	350	560	6,69											HM52300350	350	560	7,33
HM52250400	400	610	7,23											HM52300400	400	610	7,96
HM52250450	450	660	7,75											HM52300450	450	660	8,56
HM52250500	500	710	8,26											HM52300500	500	710	9,17
HM52250550	550	760	8,84											HM52300550	550	760	9,79
HM52250600	600	810	9,34											HM52300600	600	810	10,40
HM52250700 NEW!	700	910	10,40											HM52300700	700	910	11,63
HM52250800	800	1010	11,46											HM52300800	800	1010	12,85
HM52251000	1000	1210	13,58											HM52301000	1000	1210	15,31
ØD 70 ØAL 60 ØS 30													ØD 70 ØAL 60 ØS 35				
HM53300100	100	340	6,22											HM53350100	100	340	6,45
HM53300150	150	390	6,89											HM53350150	150	390	7,23
HM53300200	200	440	7,57											HM53350200	200	440	8,00
HM53300250	250	490	8,25											HM53350250	250	490	8,78
HM53300300	300	540	8,92											HM53350300	300	540	9,56
HM53300350	350	590	9,60											HM53350350	350	590	10,33
HM53300400	400	640	10,28											HM53350400	400	640	11,11
HM53300450	450	690	10,95											HM53350450	450	690	11,88
HM53300500	500	740	11,63											HM53350500	500	740	12,66
HM53300550	550	790	12,30											HM53350550	550	790	13,44
HM53300600	600	840	12,97											HM53350600	600	840	14,21
HM53300700 NEW!	700	940	14,33											HM53350700 NEW!	700	940	15,77
HM53300800	800	1040	15,68											HM53350800	800	1040	19,34
HM53301000	1000	1240	18,38											HM53351000	1000	1240	20,42

CILINDRO DOPPIO EFFETTO STANDARD CON ATTACCHI
DOUBLE ACTING CYLINDER WITH ENDS

HM5

Series M250



Code Code	K	Z	kg	E BSP	ØP	H	V	M	H1	V1	M1	Code A	Code B	Code Code	K	Z	kg
ØD 70 ØAL 60 ØS 40															ØD 73 ØAL 63 ØS 40		
HM53400200	200	440	8,65											HM5063400200	200	440	8,86
HM53400250	250	490	9,54											HM5063400250	250	490	9,77
HM53400300	300	540	10,43											HM5063400300	300	540	10,68
HM53400350	350	590	11,32											HM5063400350	350	590	11,59
HM53400400	400	640	12,21											HM5063400400	400	640	12,45
HM53400450	450	690	13,10											HM5063400450	450	690	13,41
HM53400500	500	740	13,99	3/8"	25,25	50	25	45	50	30	35	CFS0000025	COF2500000	HM5063400500	500	740	14,31
HM53400550	550	790	14,88											HM5063400550	550	790	15,22
HM53400600	600	840	15,77											HM5063400600	600	840	16,16
HM53400700 NEW!	700	940	17,56											HM5063400700 NEW!	700	940	17,97
HM53400800	800	1040	19,34											HM5063400800	800	1040	19,79
HM53401000	1000	1240	22,91											HM5063401000	1000	1240	23,44
ØD 80 ØAL 70 ØS 35															ØD 80 ØAL 70 ØS 40		
HM54350100	100	340	7,44											HM54400100 NEW!	100	340	7,82
HM54350150	150	390	8,28											HM54400150 NEW!	150	390	8,77
HM54350200	200	440	9,11											HM54400200	200	440	9,73
HM54350250	250	490	9,95											HM54400250	250	490	10,68
HM54350300	300	540	10,79											HM54400300	300	540	11,63
HM54350350	350	590	11,63											HM54400350	350	590	12,59
HM54350400	400	640	12,46	3/8"	25,25	50	25	45	50	30	35	CFS0000025	COF2500000	HM54400400	400	640	13,54
HM54350450	450	690	13,30											HM54400450	450	690	14,48
HM54350500	500	740	14,14											HM54400500	500	740	15,44
HM54350550	550	790	14,98											HM54400550	550	790	16,39
HM54350600	600	840	15,81											HM54400600	600	840	17,34
HM54350700 NEW!	700	940	17,49											HM54400700 NEW!	700	940	19,26
HM54350800	800	1040	19,16											HM54400800	800	1040	21,16
HM54351000	1000	1240	22,51											HM54401000	1000	1240	24,97
ØD 92 ØAL 80 ØS 40															ØD 92 ØAL 80 ØS 50		
HM55400200	200	475	13,33											HM55500200	200	475	14,60
HM55400250	250	525	14,46											HM55500250	250	525	16,00
HM55400300	300	575	15,58											HM55500300	300	575	17,40
HM55400400	400	675	17,83											HM55500400	400	675	20,21
HM55400500	500	775	20,08	1/2"	30,25	60	30	50	60	35	45	CFS0000030	COF3000000	HM55500500	500	775	23,02
HM55400600	600	875	22,34											HM55500600	600	875	25,82
HM55400700 NEW!	700	975	24,58											HM55500700 NEW!	700	975	28,62
HM55400800	800	1075	26,84											HM55500800	800	1075	31,43
HM55401000	1000	1275	31,34											HM55501000	1000	1275	37,40
ØD 105 ØAL 90 ØS 50															ØD 115 ØAL 100 ØS 60		
HM5090500300	300	616	23,65														
HM5090500400	400	716	26,98														
HM5090500500	500	816	30,28														
HM5090500600	600	916	33,65														
HM5090500700 NEW!	700	1016	36,98	1/2"	40,25	80	40	70	70	40	60	CF-S0000040	COF4000000				
HM5090500800	800	1116	40,32														
HM5090501000	1000	1316	46,98														
HM56500200	200	540	24,14														
HM56500250	250	590	25,90														
HM56500300	300	640	27,66														
HM56500400	400	740	31,17														
HM56500500	500	840	34,69	1/2"	40,25	80	40	70	70	40	60	CFS0000040	COF4000000	HM56600300	300	640	29,82
HM56500600	600	940	38,21											HM56600400	400	740	34,02
HM56500700 NEW!	700	1040	41,73											HM56600500	500	840	38,21
HM56500800	800	1140	45,24											HM56600600	600	940	42,41
HM56501000	1000	1340	52,28											HM56600700 NEW!	700	1040	46,61
														HM56600800	800	1140	50,80
														HM56601000	1000	1340	59,18

MATERIALE TUBO: ACCIAIO S1 52.3 DIN 2393 ISO H9
TUBE MATERIAL : STEEL S1 52.3 DIN 2393 ISO H9

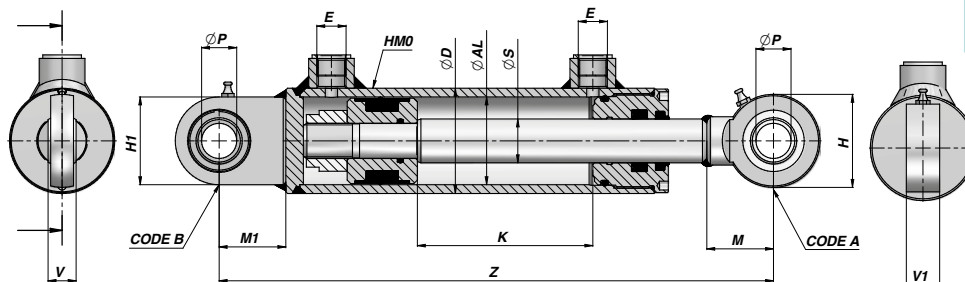
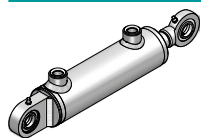
MATERIALE ASTA: ACCIAIO UNI C45 SAE 1045 CROMO 25 µm ±5 Rating 9 / 200h ISO 10289 - 1999/ISO 9227-NSS
ROD MATERIAL : STEEL UNI C45 SAE 1045 CHROME 25 µm ±5 Rating 9 / 200h ISO 10289 - 1999/ISO 9227-NSS

CARATTERISTICHE TECNICHE : VEDI PAGINA 36 - TECHNICAL SPECIFICATIONS : SEE PAGE 36

HMB

CILINDRO DOPPIO EFFETTO STANDARD CON ATTACCHI
DOUBLE ACTING CYLINDER WITH ENDS

Series M250

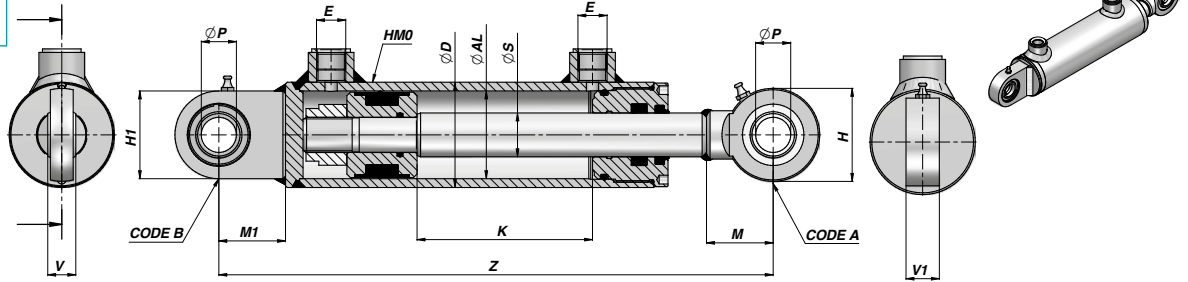


Codice Code	K	Z	kg	E BSP	ØP	H	V	M	H1	V1	M1	Code A	Code B	Codice Code	K	Z	kg
ØD 42 ØAL 32 ØS 20																	
HMB032200050	50	225	1,75														
HMB032200100	100	275	2,09														
HMB032200150	150	325	2,44														
HMB032200200	200	375	2,79														
HMB032200250	250	425	3,15														
HMB032200300	300	475	3,49														
HMB032200400	400	575	4,19														
HMB032200500	500	675	4,90														
ØD 50 ØAL 40 ØS 20													ØD 50 ØAL 40 ØS 25				
HMB1200100	100	300	2,75											HMB1250100	100	300	2,94
HMB1200150	150	350	3,15											HMB1250150	150	350	3,41
HMB1200200	200	400	3,55											HMB1250200	200	400	3,89
HMB1200250	250	450	3,96											HMB1250250	250	450	4,34
HMB1200300	300	500	4,35											HMB1250300	300	500	4,81
HMB1200350	350	550	4,75											HMB1250350	350	550	5,28
HMB1200400	400	600	5,15											HMB1250400	400	600	5,75
HMB1200450	450	650	5,55											HMB1250450	450	650	6,22
HMB1200500	500	700	5,95											HMB1250500	500	700	6,68
														HMB1250550	550	750	7,16
														HMB1250600	600	800	7,62
ØD 60 ØAL 50 ØS 25													ØD 60 ØAL 50 ØS 30				
HMB2250100	100	316	3,91											HMB2300100	100	316	4,11
HMB2250150	150	366	4,43											HMB2300150	150	366	4,73
HMB2250200	200	416	4,96											HMB2300200	200	416	5,34
HMB2250250	250	466	5,49											HMB2300250	250	466	5,96
HMB2250300	300	516	6,02											HMB2300300	300	516	6,58
HMB2250350	350	566	6,55											HMB2300350	350	566	7,20
HMB2250400	400	616	7,08											HMB2300400	400	616	7,80
HMB2250450	450	666	7,61											HMB2300450	450	666	8,42
HMB2250500	500	716	8,14											HMB2300500	500	716	9,04
HMB2250550	550	766	8,67											HMB2300550	550	766	9,64
HMB2250600	600	816	9,20											HMB2300600	600	816	10,27
HMB2250700 NEW!	700	916	10,26											HMB2300700	700	916	11,50
HMB2250800	800	1016	11,32											HMB2300800	800	1016	12,72
HMB2251000	1000	1216	13,44											HMB2301000	1000	1216	15,18
ØD 70 ØAL 60 ØS 30													ØD 70 ØAL 60 ØS 35				
HMB3300100	100	350	5,88											HMB3350100	100	350	6,12
HMB3300150	150	400	6,56											HMB3350150	150	400	6,90
HMB3300200	200	450	7,23											HMB3350200	200	450	7,68
HMB3300250	250	500	7,91											HMB3350250	250	500	8,45
HMB3300300	300	550	8,59											HMB3350300	300	550	9,22
HMB3300350	350	600	9,26											HMB3350350	350	600	10,00
HMB3300400	400	650	9,93											HMB3350400	400	650	10,78
HMB3300450	450	700	10,61											HMB3350450	450	700	10,62
HMB3300500	500	750	11,29											HMB3350500	500	750	12,33
HMB3300550	550	800	11,96											HMB3350550	550	800	13,10
HMB3300600	600	850	12,64											HMB3350600	600	850	13,88
HMB3300700 NEW!	700	950	14,00											HMB3350700 NEW!	700	950	15,44
HMB3300800	800	1050	15,34											HMB3350800	800	1050	16,99
HMB3301000	1000	1250	18,04											HMB3351000	1000	1250	20,09

CILINDRO DOPPIO EFFETTO STANDARD CON ATTACCHI
DOUBLE ACTING CYLINDER WITH ENDS



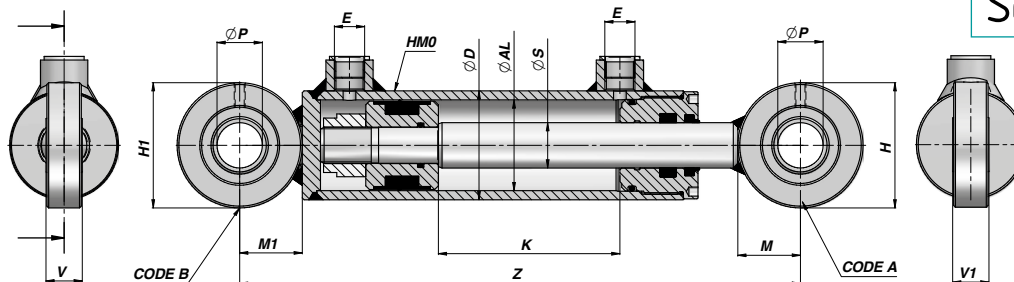
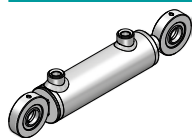
Series M250



Codice Code	K	Z	kg	E BSP	ØP	H	V	M	H1	V1	M1	Code A	Code B	Codice Code	K	Z	kg
ØD 70 ØAL 60 ØS 40															ØD 73 ØAL 63 ØS 40		
HMB3400200	200	450	8,35											HMB063400200	200	450	8,52
HMB3400250	250	500	9,19											HMB063400250	250	500	9,53
HMB3400300	300	550	10,11											HMB063400300	300	550	10,36
HMB3400350	350	600	10,99											HMB063400350	350	600	11,27
HMB3400400	400	650	11,86											HMB063400400	400	650	12,16
HMB3400450	450	700	12,78											HMB063400450	450	700	13,07
HMB3400500	500	750	13,67	3/8"	25	64	20	45	55	23	45	CSTS025C00	CSTS025N00	HMB063400500	500	750	13,98
HMB3400550	550	800	14,56											HMB063400550	550	800	14,89
HMB3400600	600	850	15,45											HMB063400600	600	850	15,80
HMB3400700 NEW!	700	950	17,24											HMB063400700 NEW!	700	950	17,64
HMB3400800	800	1050	19,02											HMB063400800	800	1050	19,46
HMB3401000	1000	1250	22,58											HMB063401000	1000	1250	23,08
ØD 80 ØAL 70 ØS 35															ØD 80 ØAL 70 ØS 40		
HMB4350100	100	350	7,12											HMB4400100 NEW!	100	350	7,48
HMB4350150	150	400	7,93											HMB4400150 NEW!	150	400	8,44
HMB4350200	200	450	8,79											HMB4400200	200	450	9,40
HMB4350250	250	500	9,61											HMB4400250	250	500	10,35
HMB4350300	300	550	10,47											HMB4400300	300	550	11,31
HMB4350350	350	600	11,30											HMB4400350	350	600	12,24
HMB4350400	400	650	12,14	3/8"	25	64	20	45	55	23	45	CSTS025C00	CSTS025N00	HMB4400400	400	650	13,19
HMB4350450	450	700	12,98											HMB4400450	450	700	14,16
HMB4350500	500	750	13,79											HMB4400500	500	750	15,11
HMB4350550	550	800	14,63											HMB4400550	550	800	16,05
HMB4350600	600	850	15,49											HMB4400600	600	850	17,00
HMB4350700 NEW!	700	950	17,15											HMB4400700 NEW!	700	950	18,92
HMB4350800	800	1050	18,81											HMB4400800	800	1050	20,81
HMB4351000	1000	1250	22,17											HMB4401000	1000	1250	24,62
ØD 92 ØAL 80 ØS 40															ØD 92 ØAL 80 ØS 50		
HMB5400200	200	482	12,81											HMB5500200	200	482	13,98
HMB5400250	250	532	13,93											HMB5500250	250	532	15,47
HMB5400300	300	582	15,05											HMB5500300	300	582	16,87
HMB5400400	400	682	17,24											HMB5500400	400	682	19,59
HMB5400500	500	782	19,55	1/2"	30	73	22	51	65	28	51	CSTS030C00	CSTS030N00	HMB5500500	500	782	22,43
HMB5400600	600	882	21,80											HMB5500600	600	882	25,29
HMB5400700 NEW!	700	982	24,05											HMB5500700 NEW!	700	982	28,10
HMB5400800	800	1082	26,30											HMB5500800	800	1082	30,90
HMB5401000	1000	1282	30,80											HMB5501000	1000	1282	36,47
ØD 105 ØAL 90 ØS 50															ØD 115 ØAL 100 ØS 60		
HMB090500300	300	624	23,14														
HMB090500400	400	724	26,47														
HMB090500500	500	824	29,80														
HMB090500600	600	924	33,14	1/2"	40	92	28	69	100	35	69	CSTS040C00	CSTS040N00				
HMB090500700 NEW!	700	1024	36,47														
HMB090500800	800	1124	39,80														
HMB090501000	1000	1324	46,52														
HMB6500200	200	548	23,46														
HMB6500250	250	598	25,22														
HMB6500300	300	648	26,97														
HMB6500400	400	748	30,49														
HMB6500500	500	848	34,00	1/2"	40	92	28	69	100	35	69	CSTS040C00	CSTS040N00	HMB6600300	300	648	29,17
HMB6500600	600	948	37,53											HMB6600400	400	748	33,36
HMB6500700 NEW!	700	1048	41,05											HMB6600500	500	848	37,56
HMB6500800	800	1148	44,56											HMB6600600	600	948	41,76
HMB6501000	1000	1348	51,59											HMB6600700 NEW!	700	1048	45,95
														HMB6600800	800	1148	50,15
														HMB6601000	1000	1348	58,62

MATERIALE TUBO: ACCIAIO S1 52.3 DIN 2393 ISO H9 MATERIALE ASTA: ACCIAIO UNI C45 SAE 1045 CROMO 25 µm ±5 Rating 9 / 200h ISO 10289 - 1999/ISO 9227-NSS
TUBE MATERIAL : STEEL S1 52.3 DIN 2393 ISO H9 ROD MATERIAL : STEEL UNI C45 SAE 1045 CHROME 25 µm ±5 Rating 9 / 200h ISO 10289 - 1999/ISO 9227-NSS

CARATTERISTICHE TECNICHE : VEDI PAGINA 38 - TECHNICAL SPECIFICATIONS : SEE PAGE 38

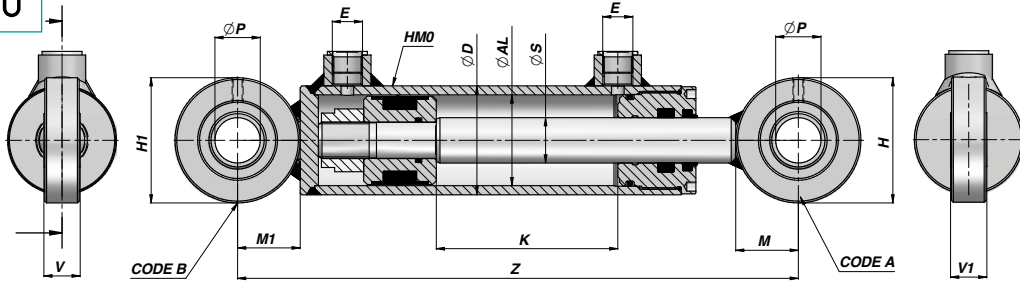


Codice Code	K	Z	kg	E BSP	ØP	H	V	M	H1	V1	M1	Code A	Code B	Codice Code	K	Z	kg
ØD 42 ØAL 32 ØS 20																	
HMC032200050	50	195	1,45														
HMC032200100	100	245	1,80														
HMC032200150	150	295	2,15														
HMC032200200	200	345	2,50														
HMC032200250	250	395	2,85														
HMC032200300	300	445	3,20														
HMC032200400	400	545	3,90														
HMC032200500	500	645	4,60														
ØD 50 ØAL 40 ØS 20													ØD 50 ØAL 40 ØS 25				
HMC1200100	100	280	2,63											HMC1250100	100	280	2,80
HMC1200150	150	330	3,03											HMC1250150	150	330	3,23
HMC1200200	200	380	3,43											HMC1250200	200	380	3,74
HMC1200250	250	430	3,83											HMC1250250	250	430	4,21
HMC1200300	300	480	4,23											HMC1250300	300	480	4,68
HMC1200350	350	530	4,63											HMC1250350	350	530	5,15
HMC1200400	400	580	5,03											HMC1250400	400	580	5,62
HMC1200450	450	630	5,43											HMC1250450	450	630	6,09
HMC1200500	500	680	5,83											HMC1250500	500	680	6,55
														HMC1250550	550	730	7,02
														HMC1250600	600	780	7,49
ØD 60 ØAL 50 ØS 25													ØD 60 ØAL 50 ØS 30				
HMC2250100	100	309	4,24											HMC2300100	100	309	4,44
HMC2250150	150	359	4,27											HMC2300150	150	359	5,06
HMC2250200	200	409	5,30											HMC2300200	200	409	5,67
HMC2250250	250	459	5,82											HMC2300250	250	459	6,29
HMC2250300	300	509	6,36											HMC2300300	300	509	6,90
HMC2250350	350	559	6,88											HMC2300350	350	559	7,52
HMC2250400	400	609	7,41											HMC2300400	400	609	8,13
HMC2250450	450	659	7,94											HMC2300450	450	659	8,74
HMC2250500	500	709	8,47											HMC2300500	500	709	9,36
HMC2250550	550	759	9,00											HMC2300550	550	759	9,98
HMC2250600	600	809	9,53											HMC2300600	600	809	10,59
HMC2250700 NEW!	700	909	10,65											HMC2300700	700	909	11,82
HMC2250800	800	1009	11,65											HMC2300800	800	1009	13,05
HMC2251000	1000	1209	13,77											HMC2301000	1000	1209	15,50
ØD 70 ØAL 60 ØS 30													ØD 70 ØAL 60 ØS 35				
HMC3300100	100	329	5,83											HMC3350100	100	329	6,08
HMC3300150	150	379	6,50											HMC3350150	150	379	6,86
HMC3300200	200	429	7,18											HMC3350200	200	429	7,64
HMC3300250	250	479	7,86											HMC3350250	250	479	8,40
HMC3300300	300	529	8,53											HMC3350300	300	529	9,19
HMC3300350	350	579	9,21											HMC3350350	350	579	9,96
HMC3300400	400	629	9,88											HMC3350400	400	629	10,74
HMC3300450	450	679	10,56											HMC3350450	450	679	11,52
HMC3300500	500	729	11,23											HMC3350500	500	729	12,29
HMC3300550	550	779	11,91											HMC3350550	550	779	13,07
HMC3300600	600	829	12,58											HMC3350600	600	829	13,84
HMC3300700 NEW!	700	929	14,04											HMC3350700 NEW!	700	929	15,48
HMC3300800	800	1029	15,29											HMC3350800	800	1029	16,95
HMC3301000	1000	1229	17,99											HMC3351000	1000	1229	20,05

CILINDRO DOPPIO EFFETTO STANDARD CON ATTACCHI
DOUBLE ACTING CYLINDER WITH ENDS



Series M250



Codice Code	K	Z	kg	E BSP	ØP	H	V	M	H1	V1	M1	Code A	Code B	Codice Code	K	Z	kg	
ØD 70 ØAL 60 ØS 40														ØD 73 ØAL 63 ØS 40				
HMC3400200	200	429	8,26											HMC063400200	200	429	8,57	
HMC3400250	250	479	9,17											HMC063400250	250	479	9,48	
HMC3400300	300	529	10,06											HMC063400300	300	529	10,29	
HMC3400350	350	579	10,95											HMC063400350	350	579	11,30	
HMC3400400	400	629	11,84											HMC063400400	400	629	12,21	
HMC3400450	450	679	12,73											HMC063400450	450	679	13,13	
HMC3400500	500	729	13,63	3/8"	25	69	20	34,5	69	20	34,5	CAGEG06904225	CAGEG06904225	HMC063400500	500	729	14,03	
HMC3400550	550	779	14,52											HMC063400550	550	779	14,86	
HMC3400600	600	829	15,41											HMC063400600	600	829	15,75	
HMC3400700 NEW!	700	929	17,28											HMC063400700 NEW!	700	929	17,68	
HMC3400800	800	1029	18,95											HMC063400800	800	1029	19,48	
HMC3401000	1000	1229	22,54											HMC063401000	1000	1229	23,13	
ØD 80 ØAL 70 ØS 35														ØD 80 ØAL 70 ØS 40				
HMC4350100	100	335	7,25											HMC4400100 NEW!	100	335	7,76	
HMC4350150	150	385	8,09											HMC4400150 NEW!	150	385	8,71	
HMC4350200	200	435	8,95											HMC4400200	200	435	9,54	
HMC4350250	250	485	9,76											HMC4400250	250	485	10,49	
HMC4350300	300	535	10,60											HMC4400300	300	535	11,45	
HMC4350350	350	585	11,46											HMC4400350	350	585	12,40	
HMC4350400	400	635	12,27	3/8"	30	75	22	37,5	75	22	37,5	CAGEG07504730	CAGEG07504730	HMC4400400	400	635	13,35	
HMC4350450	450	685	13,13											HMC4400450	450	685	14,30	
HMC4350500	500	735	13,95											HMC4400500	500	735	15,26	
HMC4350550	550	785	14,81											HMC4400550	550	785	16,21	
HMC4350600	600	835	15,64											HMC4400600	600	835	17,16	
HMC4350700 NEW!	700	935	17,43											HMC4400700 NEW!	700	935	19,20	
HMC4350800	800	1035	18,99											HMC4400800	800	1035	20,97	
HMC4351000	1000	1235	22,34											HMC4401000	1000	1235	24,78	
ØD 92 ØAL 80 ØS 40														ØD 92 ØAL 80 ØS 50				
HMC5400200	200	474	13,54											HMC5500200	200	474	14,69	
HMC5400250	250	524	14,67											HMC5500250	250	524	16,09	
HMC5400300	300	574	15,79											HMC5500300	300	574	17,50	
HMC5400400	400	674	18,05											HMC5500400	400	674	20,30	
HMC5400500	500	774	20,29	1/2"	40	94	28	47	94	28	47	CAGEG09406240	CAGEG09406240	HMC5500500	500	774	23,11	
HMC5400600	600	874	22,55											HMC5500600	600	874	25,92	
HMC5400700 NEW!	700	974	24,80											HMC5500700 NEW!	700	974	28,72	
HMC5400800	800	1074	27,05											HMC5500800	800	1074	31,53	
HMC5401000	1000	1274	31,55											HMC5501000	1000	1274	37,14	
ØD 105 ØAL 90 ØS 50																		
HMC090500300	300	580	21,79															
HMC090500400	400	680	25,13															
HMC090500500	500	780	28,46															
HMC090500600	600	880	31,79															
HMC090500700 NEW!	700	980	35,12	1/2"	40	94	28	47	94	28	47	CAGEG09406240	CAGEG09406240					
HMC090500800	800	1080	38,46															
HMC090501000	1000	1280	45,12															
ØD 115 ØAL 100 ØS 50															ØD 115 ØAL 100 ØS 60			
HMC6500200	200	530	24,79															
HMC6500250	250	580	26,55															
HMC6500300	300	630	28,30															
HMC6500400	400	730	31,82															
HMC6500500	500	830	35,34	1/2"	50	120	35	60	120	35	60	CAGEG12007550	CAGEG12007550	HMC6600300	300	630	30,46	
HMC6500600	600	930	38,86											HMC6600400	400	730	34,65	
HMC6500700 NEW!	700	1030	42,37											HMC6600500	500	830	38,84	
HMC6500800	800	1130	45,78											HMC6600600	600	930	43,04	
HMC6501000	1000	1330	52,93											HMC6600700 NEW!	700	1030	47,23	
														HMC6600800	800	1130	51,32	
														HMC6601000	1000	1330	59,82	

MATERIALE TUBO: ACCIAIO St 52.3 DIN 2393 ISO H9
TUBE MATERIAL : STEEL St 52.3 DIN 2393 ISO H9

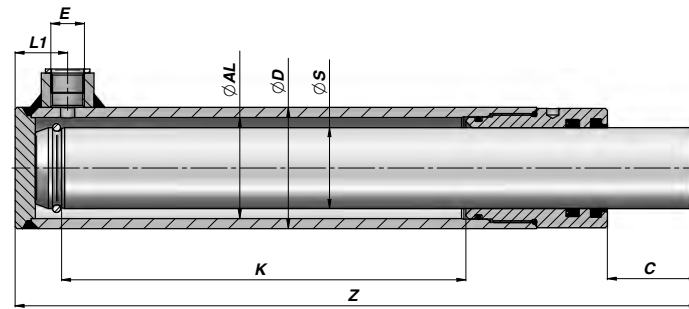
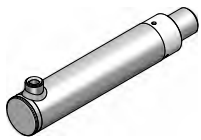
MATERIALE ASTA: ACCIAIO UNI C45 SAE 1045 CROMO 25 µm ±5 Rating 9 / 200h ISO 10289 - 1999/ISO 9227-NSS
ROD MATERIAL : STEEL UNI C45 SAE 1045 CHROME 25 µm ±5 Rating 9 / 200h ISO 10289 - 1999/ISO 9227-NSS

CARATTERISTICHE TECNICHE : VEDI PAGINA 38 - TECHNICAL SPECIFICATIONS : SEE PAGE 38

HTO

CILINDRO TUFFANTE STANDARD
STANDARD PLUNGER CYLINDER

Series M250



Codice Code	K	Z	kg	E BSP	L1	C
ØD 50 ØAL 40 ØS 30						
HT02300200	200	326	3,67	3/8"	23	40
HT02300250	250	376	4,22			
HT02300300	300	426	4,78			
HT02300350	350	476	5,33			
HT02300400	400	526	5,89			
HT02300500	500	626	7,00			
ØD 60 ØAL 50 ØS 40						
HT03400200	200	338	5,67	3/8"	26	45
HT03400300	300	438	7,34			
HT03400400	400	538	9,00			
HT03400500	500	638	10,67			
HT03400600	600	738	12,35			
ØD 70 ØAL 60 ØS 50						
HT04500300	300	450	10,60	3/8"	30	50
HT04500400	400	550	12,94			
HT04500500	500	650	15,28			
HT04500600	600	750	17,62			

MATERIALE TUBO: ACCIAIO St 52.3 DIN 2393 ISO H9
TUBE MATERIAL : STEEL St 52.3 DIN 2393 ISO H9

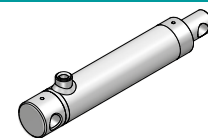
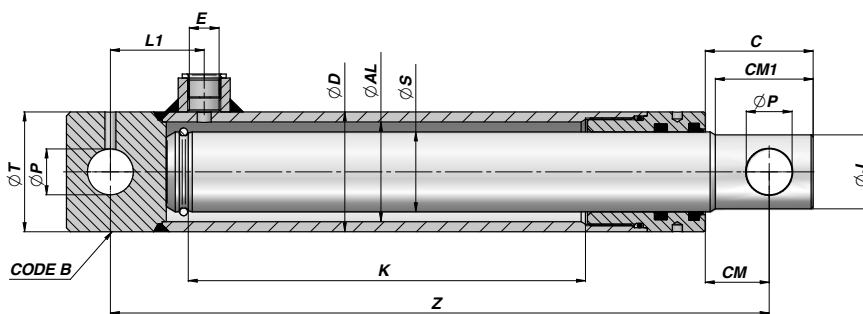
MATERIALE ASTA: ACCIAIO UNI C45 SAE 1045 CROMO 25 µm ±5 Rating 9 / 200h ISO 10289 - 1999/ISO 9227-NSS
ROD MATERIAL : STEEL UNI C45 SAE 1045 CHROME 25 µm ±5 Rating 9 / 200h ISO 10289 - 1999/ISO 9227-NSS

CARATTERISTICHE TECNICHE : VEDI PAGINA 40 - TECHNICAL SPECIFICATIONS : SEE PAGE 40

CILINDRO TUFFANTE TIPO "HFRT"
PLUNGER CYLINDER "HFRT" TYPE

HFRT

Series M250



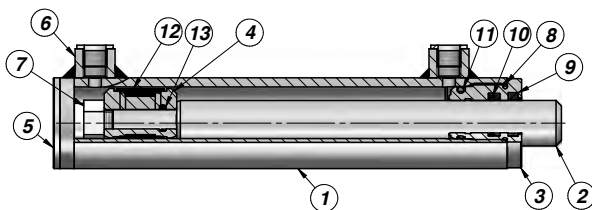
Codice Code	K	Z	kg	E BSP	L1	ØP	CM	C	ØJ	CM1	ØT	Code B
ØD 40 ØAL 30 ØS 25												
HFRT125100	100	190	1,64									
HFRT125150	150	240	2,05									
HFRT125200	200	290	2,46	3/8"	40	14,10	24	38	22	35	40	CFHR030014030
HFRT125250	250	340	2,87									
HFRT125300	300	390	3,28									
ØD 50 ØAL 40 ØS 30												
HFRT230200	200	300	3,64									
HFRT230250	250	350	4,19									
HFRT230300	300	400	4,74									
HFRT230350	350	450	5,30	3/8"	42	16,20	26	42	27	37	50	CFO4005016
HFRT230400	400	500	5,85									
HFRT230550	550	650	7,52									
HFRT230700 NEW!	700	800	9,18									
ØD 60 ØAL 50 ØS 40												
HFRT340200	200	330	6,08									
HFRT340250	250	380	6,91									
HFRT340300	300	430	7,75									
HFRT340350	350	480	8,58	3/8"	47	23,10	32	54	37	49	60	CFHR050023050
HFRT340400	400	530	9,41									
HFRT340550	550	680	11,90									
HFRT340700	700	830	14,40									
ØD 60 ØAL 50 ØS 45												
HFRT345200 NEW!	200	330	6,73									
HFRT345250 NEW!	250	380	7,69									
HFRT345300 NEW!	300	430	8,66	3/8"	47	23,10	34	56	42	49	60	CFHR05023050
HFRT345350 NEW!	350	480	9,62									
HFRT345400 NEW!	400	530	10,58									
ØD 70 ØAL 60 ØS 50												
HFRT450300	300	460	11,40									
HFRT450400	400	560	13,74									
HFRT450550	550	710	17,25	3/8"	50	25,50	49	74	47	65	65	CFHRT07060
HFRT450700	700	860	20,77									
ØD 80 ØAL 70 ØS 60												
HFRT560200 NEW!	200	360	12,26									
HFRT560300 NEW!	300	460	15,40									
HFRT560400 NEW!	400	560	18,53	3/8"	50	25,25	36	61	57	57	75	CFHRT08070
HFRT560550 NEW!	550	710	23,24									
HFRT560700 NEW!	700	860	27,95									
ØD 92 ØAL 80 ØS 70												
HFRT570300 NEW!	300	509	22,66									
HFRT570400 NEW!	400	609	26,94									
HFRT570500 NEW!	500	709	31,23	3/8"	55	30,25	66	96	67	90	85	CFHRT09080

MATERIALE TUBO: ACCIAIO St 52.3 DIN 2393 ISO H9 MATERIALE ASTA: ACCIAIO UNI C45 SAE 1045 CROMO 25 µm ±5 Rating 9 / 200h ISO 10289 - 1999/ISO 9227-NSS
TUBE MATERIAL : STEEL St 52.3 DIN 2393 ISO H9 ROD MATERIAL : STEEL UNI C45 SAE 1045 CHROME 25 µm ±5 Rating 9 / 200h ISO 10289 - 1999/ISO 9227-NSS

CARATTERISTICHE TECNICHE : VEDI PAGINA 40 - TECHNICAL SPECIFICATIONS : SEE PAGE 40

CARATTERISTICHE TECNICHE TECHNICAL SPECIFICATIONS

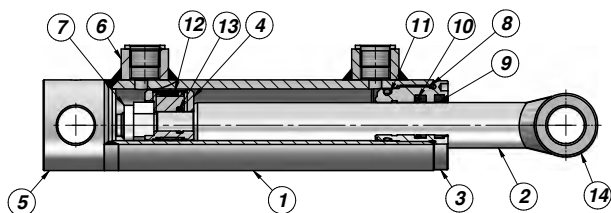
TYPE "HMO" - "HMOLM"



"HMO" Pressione Massima - Max. Pressure: 250 Bar (**)

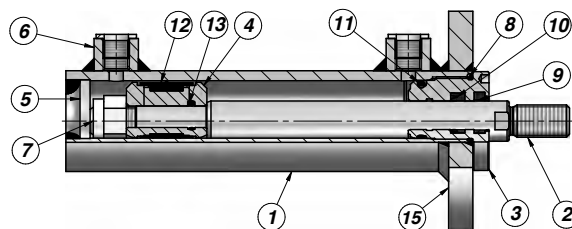
"HMOLM" Pressione Massima - Max. Pressure: 180 Bar

TYPE "HFR2S"



"HFR2S" Pressione Massima - Max. Pressure: 250 Bar (**)

TYPE "HMF"



"HMF" Pressione Massima - Max. Pressure: 250 Bar (**)

PRODOTTO - PRODUCT	MATERIALE - MATERIAL
1 TUBO LUCIDO POLISHED TUBE	ACCIAIO: St 52.3 DIN 2393 ISO H9 STEEL: St 52.3 DIN 2393 ISO H9
2 STELO CROMATO CHROMED ROD	ACCIAIO: UNI C45 - SAE 1045 - CROMO 25 µm ±5 Rating 9 / 200h (<ø20 120h) ISO 10289 - 1999/ISO 9227-NSS STEEL: UNI C45 - SAE 1045 - CHROME 25 µm ±5 Rating 9 / 200h (<ø20 120h) ISO 10289 - 1999/ISO 9227-NSS
3 TESTATA DI GUIDA HEAD BUSH	GHISA: EN-GJL 250 (G25-UNI 5007 / EN 1561) HYDRAULIC CAST IRON: EN-GJL 250 (G25-UNI 5007 / EN 1561)
4 PISTONE PISTON	ACCIAIO: 9SMn28 STEEL: 9SMn28
5 FONDELLO END PLUG	ACCIAIO: S355J0 (Fe510C) - S355JR (A105) STEEL: S355J0 (Fe510C) - S355JR (A105)
6 BORCHIA FILETTATA THREADED PORT	ACCIAIO STEEL
7 DADO AUTOBLOCCANTE LOCKNUT	ACCIAIO: UNI 7473 - 7474 STEEL: UNI 7473 - 7474
8 GUARNIZIONE: O-RING SEAL: O-RING	NBR 70 SHORE NBR 70 SHORE
9 GUARNIZIONE: GHK SEAL: GHK	POLIURETANO POLYURETHANE
10 GUARNIZIONE: TSE-TTS-TT/L SEAL: TSE-TTS-TT/L	TSE: NBR+TESSUTO TTS-TT/L: POLIURETANO TSE: NBR+FABRIC TTS-TT/L: POLYURETHANE
11 GUARNIZIONE: O-RING SEAL: O-RING	NBR 70 SHORE NBR 70 SHORE
12 GUARNIZIONE: TPM SEAL: TPM	NBR+POM+TPE NBR+POM+TPE
13 GUARNIZIONE: O-RING SEAL: O-RING	NBR 70 SHORE NBR 70 SHORE
14 BOCCOLA BUSH	ACCIAIO: S355J0 (Fe510C) STEEL: S355J0 (Fe510C)
15 FLANGIA FLANGE	ACCIAIO: S355J0 (Fe510C) STEEL: S355J0 (Fe510C)

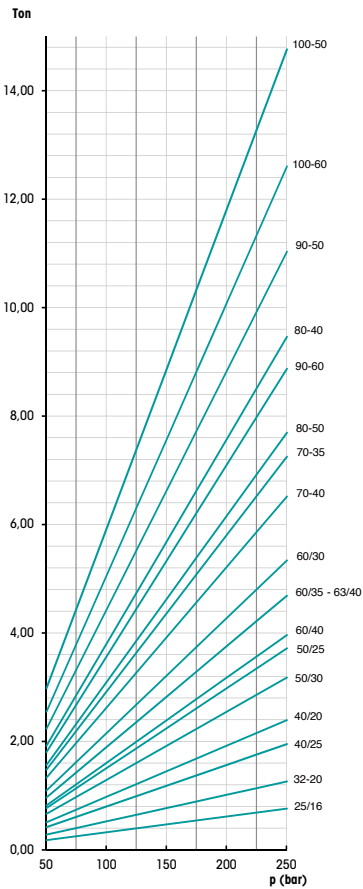
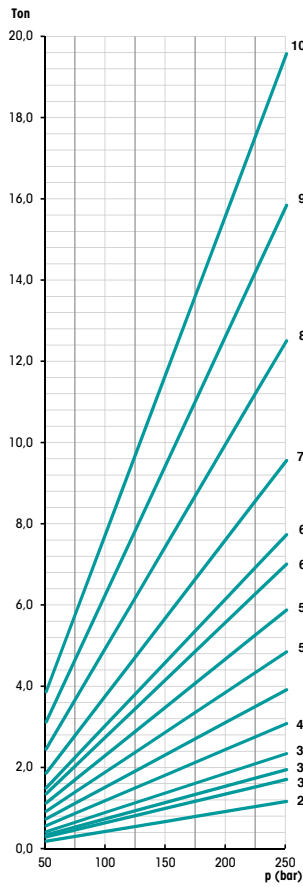
Velocità Limite - Top Speed: max 0,5 m/s Temperatura C° - Temperature C°: -25°C - +80°C

(**) Il dato della pressione è sempre da verificare in base all'applicazione del cilindro.

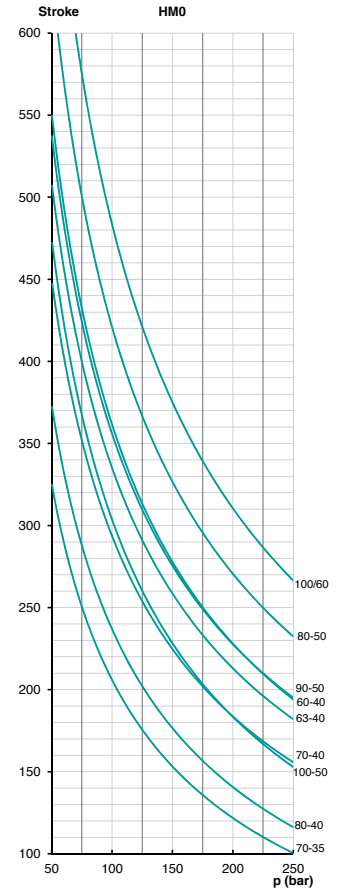
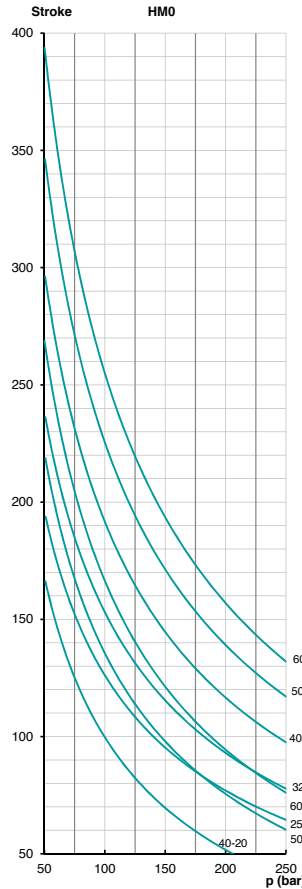
(**) The pressure value is always to be checked depending on the application of the cylinders.

CARATTERISTICHE TECNICHE
TECHNICAL SPECIFICATIONS

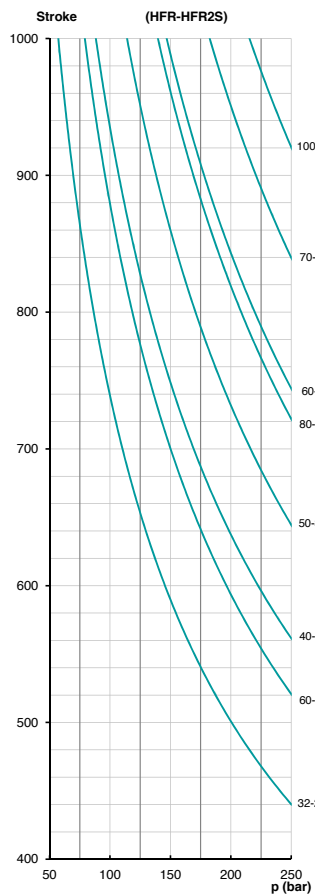
FORZA IN SPINTA - OUTPUT FORCE FORZA IN TIRO - INPUT FORCE



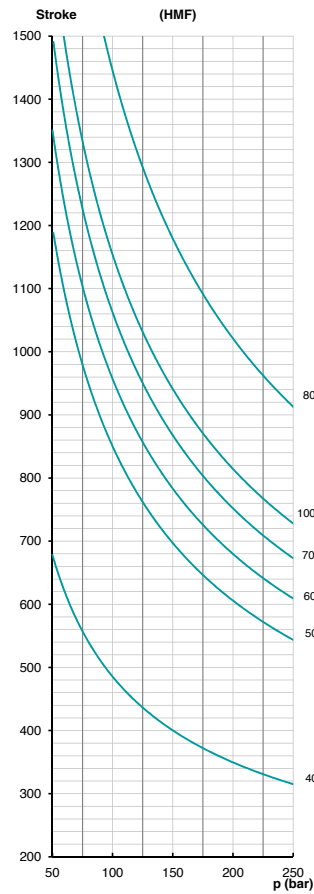
PRESSOFLESSIONE - BUCKLING (HMO)



PRESSOFLESSIONE - BUCKLING (HFR-HFR2S)

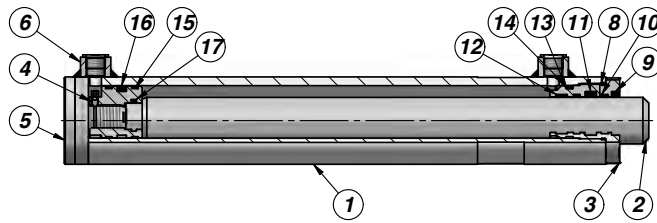


PRESSOFLESSIONE - BUCKLING (HMF)



CARATTERISTICHE TECNICHE TECHNICAL SPECIFICATIONS

TYPE "HMOPM"



Pressione Massima - Max. Pressure: 350 Bar (**)

PRODOTTO - PRODUCT	MATERIALE - MATERIAL
1 TUBO LEVIGATO HONED TUBE	ACCIAIO: St 52.3 DIN 2391 ISO H8 STEEL: St 52.3 DIN 2391 ISO H8
2 STELO CROMATO CHROMED ROD	ACCIAIO: 20MnV6 - CROMO 25 µm ±5 Rating 9 / 200h (<ø20 120h) ISO 10289 - 1999/ISO 9227-NSS STEEL: 20MnV6 - CHROME 25 µm ±5 Rating 9 / 200h (<ø20 120h) ISO 10289 - 1999/ISO 9227-NSS
3 TESTATA DI GUIDA HEAD BUSH	ACCIAIO: C40 STEEL: C40
4 PISTONE PISTON	ACCIAIO: C40 STEEL: C40
5 FONDELLO END PLUG	ACCIAIO: S355J0 (Fe510C) - S355JR (A105) STEEL: S355J0 (Fe510C) - S355JR (A105)
6 BORCHIA FILETTATA THREADED PORT	ACCIAIO STEEL
8 GUARNIZIONE: O-RING SEAL: O-RING	NBR 70 SHORE NBR 70 SHORE
9 GUARNIZIONE: GHM/C SEAL: GHM/C	NBR + METALLO NBR + METAL
10 GUARNIZIONE: TTX/S SEAL: TTX/S	POLIURETANO + POM POLYURETHANE + POM
11 GUARNIZIONE: GIR SEAL: GIR	PTFE + NBR PTFE + NBR
12 GUARNIZIONE: GAF SEAL: GAF	TESSUTO + RESINA FENOLICA FABRIC + PHENOLIC RESIN
13 GUARNIZIONE: GKS SEAL: GKS	TPE TPE
14 GUARNIZIONE: O-RING SEAL: O-RING	NBR 70 SHORE NBR 70 SHORE
15 GUARNIZIONE: PDH SEAL: PDH	NBR + PTFE + POM NBR + PTFE + POM
16 GUARNIZIONE: GAF SEAL: GAF	TESSUTO + RESINA FENOLICA FABRIC + PHENOLIC RESIN
17 GUARNIZIONE: O-RING SEAL: O-RING	NBR 70 SHORE NBR 70 SHORE

Velocità Limite - Top Speed: max 1 m/s

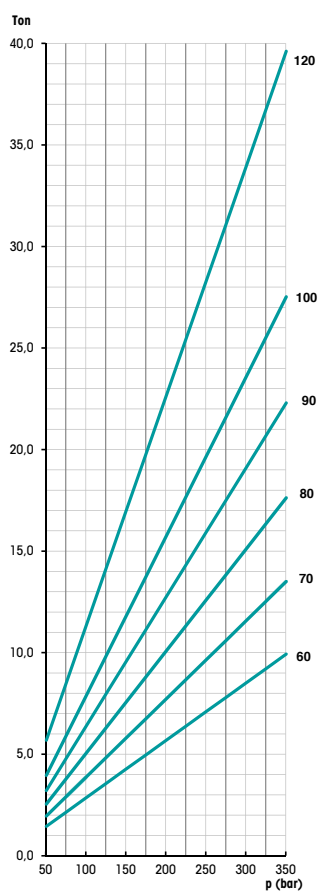
Temperatura C° - Temperature C°: -25°C - +80°C

(**) Il dato della pressione è sempre da verificare in base all'applicazione del cilindro.

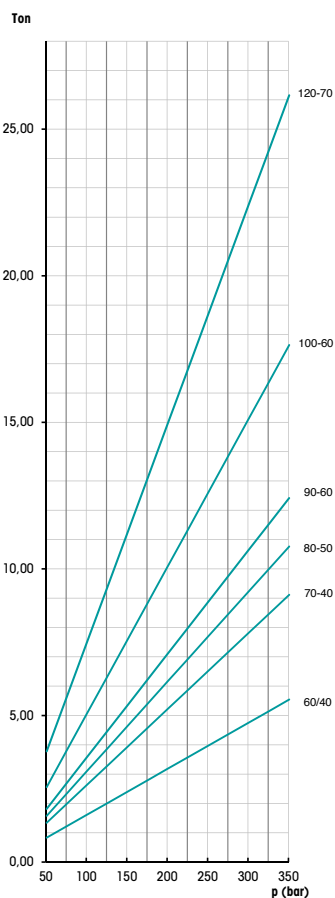
(**) The pressure value is always to be checked depending on the application of the cylinders.

CARATTERISTICHE TECNICHE
TECHNICAL SPECIFICATIONS

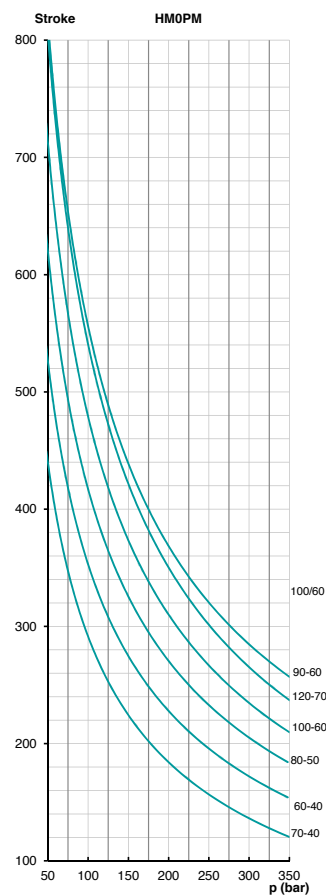
FORZA IN SPINTA - OUTPUT FORCE



FORZA IN TIRO - INPUT FORCE

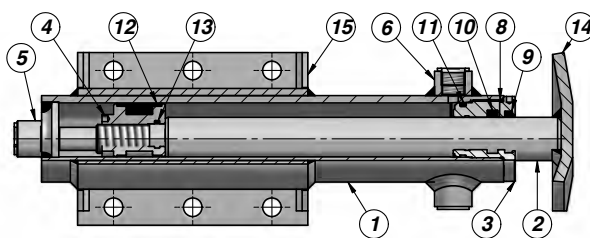


PRESSOFLESSIONE - BUCKLING



CARATTERISTICHE TECNICHE
TECHNICAL SPECIFICATIONS

TYPE "HMS"



Pressione Massima - Max. Pressure: 250 Bar (**)

PRODOTTO - PRODUCT		MATERIALE - MATERIAL
1	TUBO LUCIDO POLISHED TUBE	ACCIAIO: St 52.3 DIN 2393 ISO H9 STEEL: St 52.3 DIN 2393 ISO H9
2	STELO CROMATO CHROMED ROD	ACCIAIO: UNI C45 - SAE 1045 - CROMO 25 µm ±5 Rating 9 / 200h (<ø20 120h) ISO 10289 - 1999/ISO 9227-NSS STEEL: UNI C45 - SAE 1045 - CHROME 25 µm ±5 Rating 9 / 200h (<ø20 120h) ISO 10289 - 1999/ISO 9227-NSS
3	TESTATA DI GUIDA HEAD BUSH	GHISA: EN-GJL 250 (G25-UNI 5007 / EN 1561) HYDRAULIC CAST IRON: EN-GJL 250 (G25-UNI 5007 / EN 1561)
4	PISTONE PISTON	ACCIAIO: 9SMn28 - C40 STEEL: 9SMn28 - C40
5	FONDELLO END PLUG	ACCIAIO: S355J0 (Fe510C) - S355JR (A105) STEEL: S355J0 (Fe510C) - S355JR (A105)
6	BORCHIA FILETTATA THREADED PORT	ACCIAIO STEEL
8	GUARNIZIONE: O-RING SEAL: O-RING	NBR 70 SHORE NBR 70 SHORE
9	GUARNIZIONE: GHK SEAL: GHK	POLIURETANO POLYURETHANE
10	GUARNIZIONE: TSE-TTS-TT/L SEAL: TSE-TTS-TT/L	TSE : NBR+TESSUTO TSE : NBR+FABRIC
11	GUARNIZIONE: O-RING SEAL: O-RING	NBR 70 SHORE NBR 70 SHORE
12	GUARNIZIONE: TPM SEAL: TPM	NBR+POM+TPE NBR+POM+TPE
13	GUARNIZIONE: O-RING SEAL: O-RING	NBR 70 SHORE NBR 70 SHORE
14	FLANGIA FLANGE	ACCIAIO: S355J0 (Fe510C) STEEL: S355J0 (Fe510C)
15	PIASTRA PLATE	ACCIAIO: S355J0 (Fe510C) STEEL: S355J0 (Fe510C)

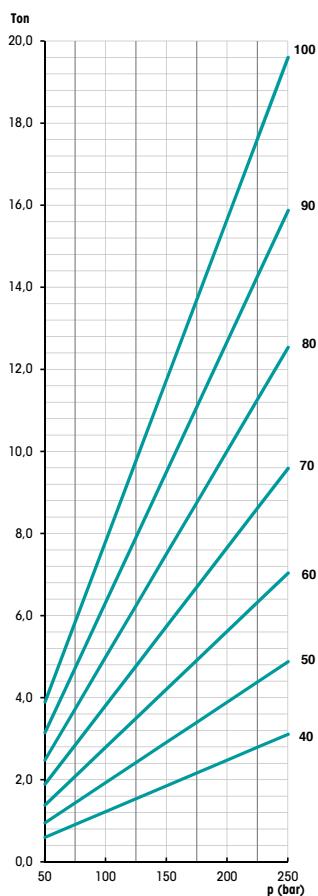
Velocità Limite - Top Speed: max 0,5 m/s Temperatura C° - Temperature C°: -25°C - +80°C

(**) Il dato della pressione è sempre da verificare in base all'applicazione del cilindro.

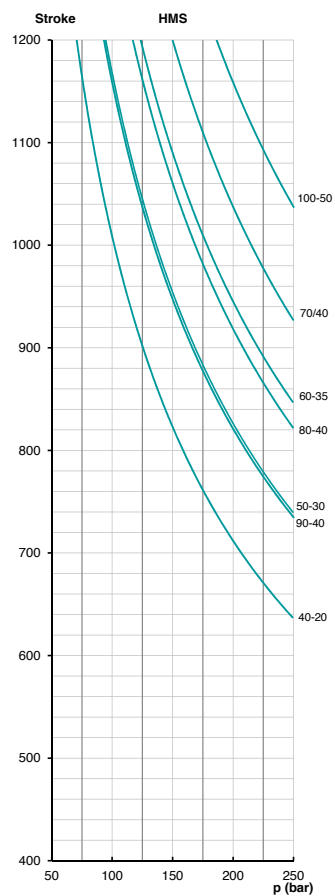
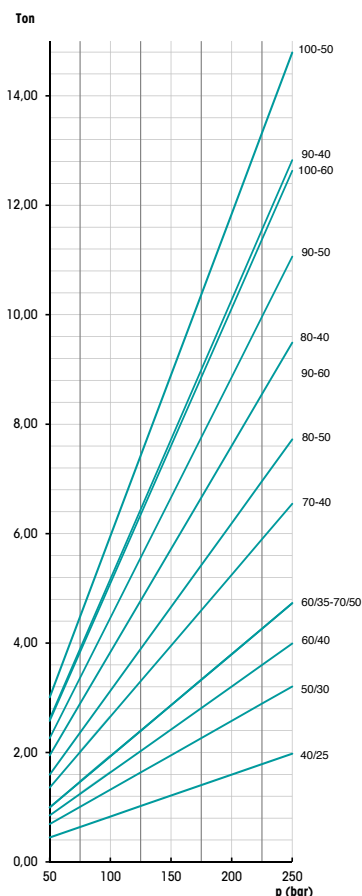
(**) The pressure value is always to be checked depending on the application of the cylinders.

CARATTERISTICHE TECNICHE
TECHNICAL SPECIFICATIONS

FORZA IN SPINTA - OUTPUT FORCE

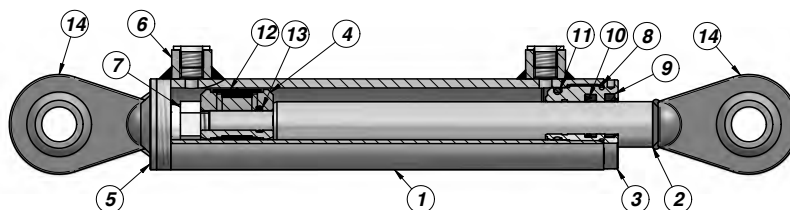


FORZA IN TIRO - INPUT FORCE



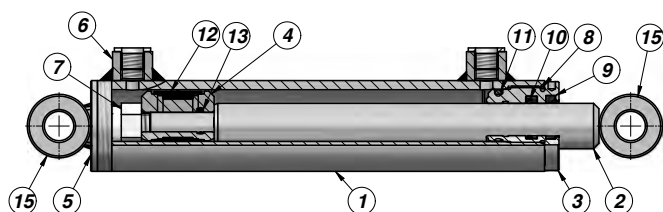
CARATTERISTICHE TECNICHE TECHNICAL SPECIFICATIONS

TYPE "HM1"



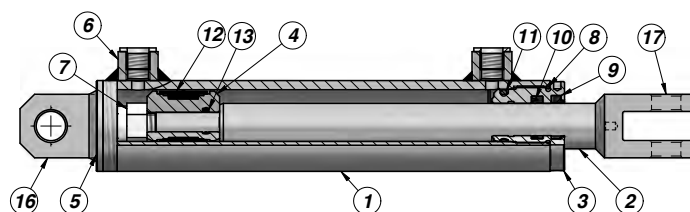
Pressione Massima - Max. Pressure: 250 Bar (**)

TYPE "HM2"



Pressione Massima - Max. Pressure: 250 Bar (**)

TYPE "HM5"



Pressione Massima - Max. Pressure: 250 Bar (**)

PRODOTTO - PRODUCT		MATERIALE - MATERIAL	
1	TUBO LUCIDO POLISHED TUBE	ACCIAIO: St 52.3 DIN 2393 ISO H9 STEEL: St 52.3 DIN 2393 ISO H9	
2	STELO CROMATO CHROMED ROD	ACCIAIO: UNI C45 - SAE 1045 - CROMO 25 µm ±5 Rating 9/200h (<ø20 120h) ISO 10289 - 1999/ISO 9227-NSS STEEL: UNI C45 - SAE 1045 - CHROME 25 µm ±5 Rating 9/200h (<ø20 120h) ISO 10289 - 1999/ISO 9227-NSS	
3	TESTATA DI GUIDA HEAD BUSH	GHISA: EN-GJL 250 (G25-UNI 5007 / EN 1561) HYDRAULIC CAST IRON: EN-GJL 250 (G25-UNI 5007 / EN 1561)	
4	PISTONE PISTON	ACCIAIO: 9SMn28 STEEL: 9SMn28	
5	FONDELLO END PLUG	ACCIAIO: S355J0 (Fe510C) - S355JR (A105) STEEL: S355J0 (Fe510C) - S355JR (A105)	
6	BORCHIA FILETTATA THREADED PORT	ACCIAIO STEEL	
7	DADO AUTOBLOCCANTE LOCKNUT	ACCIAIO: UNI 7473 - 7474 STEEL: UNI 7473 - 7474	
8	GUARNIZIONE: O-RING SEAL: O-RING	NBR 70 SHORE NBR 70 SHORE	
9	GUARNIZIONE: GHK SEAL: GHK	POLIURETANO POLYURETHANE	
10	GUARNIZIONE: TSE-TTS-TT/L SEAL: TSE-TTS-TT/L	TSE: NBR+TESSUTO TTS-TT/L: POLIURETANO TSE: NBR+FABRIC TTS-TT/L: POLYURETHANE	
11	GUARNIZIONE: O-RING SEAL: O-RING	NBR 70 SHORE NBR 70 SHORE	
12	GUARNIZIONE: TPM SEAL: TPM	NBR+POM+TPE NBR+POM+TPE	
13	GUARNIZIONE: O-RING SEAL: O-RING	NBR 70 SHORE NBR 70 SHORE	
14	SNODO AGRICOLO AGRICULTURE BALL JOINT END	ACCIAIO: C40 - UNI EN 10083-1 STEEL: C40 - UNI EN 10083-1	
15	BOCCOLA BUSH	TIPO : "CB" ACCIAIO: S355J0 (Fe510C) TYPE : "CB" STEEL: S355J0 (Fe510C)	
16	OCCHIO FISSO MALE CLEVIS	TIPO : "COF" ACCIAIO: S235JR (Fe360/Fe360B) TYPE : "COF" STEEL: S235JR (Fe360/Fe360B)	
17	FORCELLA FORK	TIPO : "CFS" ACCIAIO: S235JR (Fe360/Fe360B) TYPE : "CFS" STEEL: S235JR (Fe360/Fe360B)	

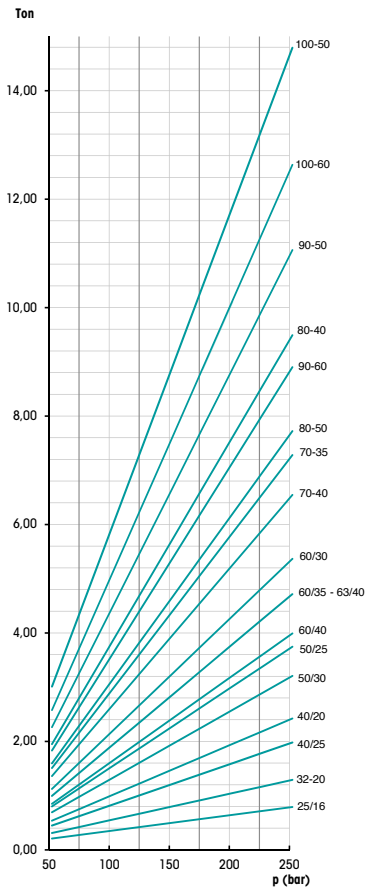
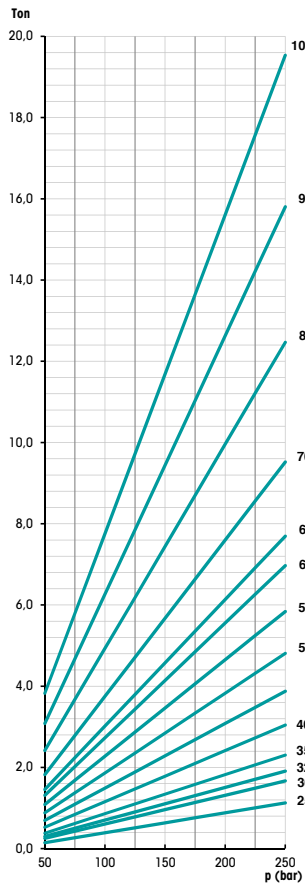
Velocità Limite - Top Speed: max 0,5 m/s Temperatura C° - Temperature C°: -25°C - +80°C

(**) Il dato della pressione è sempre da verificare in base all'applicazione del cilindro.

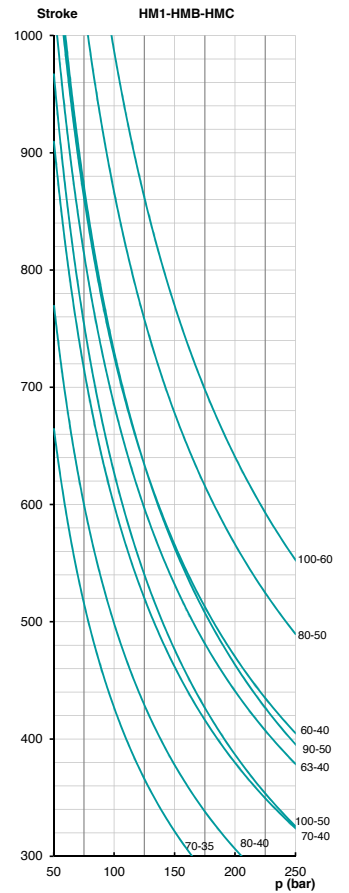
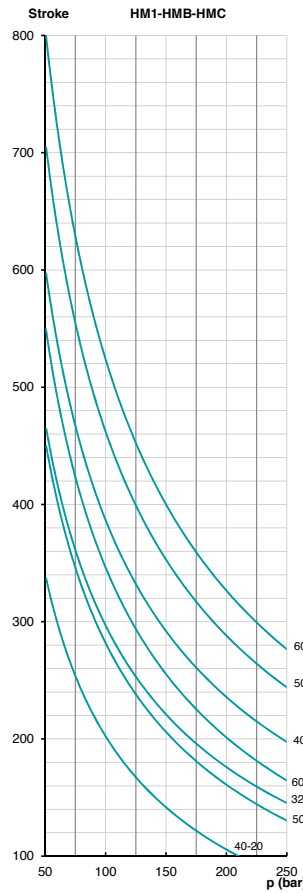
(**) The pressure value is always to be checked depending on the application of the cylinders.

CARATTERISTICHE TECNICHE
TECHNICAL SPECIFICATIONS

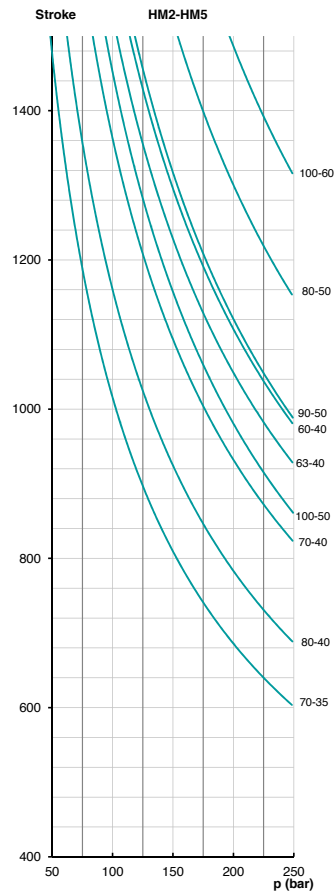
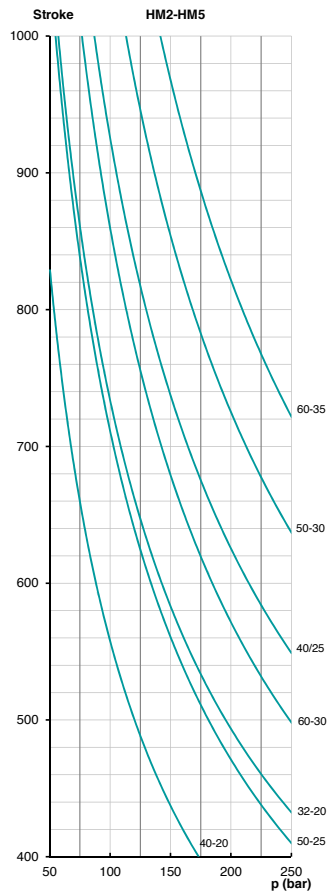
FORZA IN SPINTA - OUTPUT FORCE FORZA IN TIRO - INPUT FORCE



PRESSOFLESSIONE - BUCKLING (HM1)

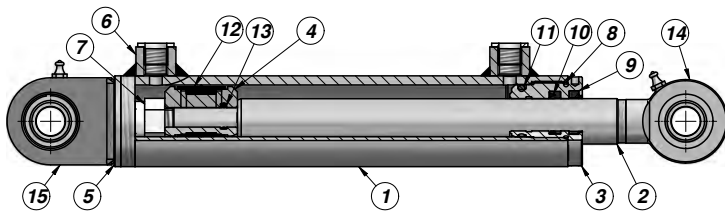


PRESSOFLESSIONE - BUCKLING (HM2- HM5)



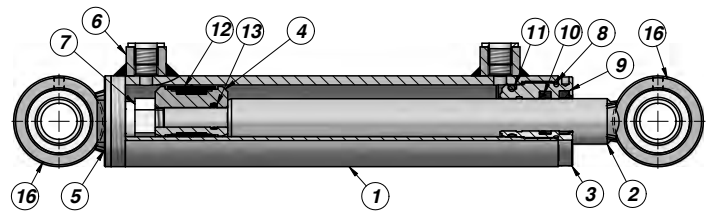
CARATTERISTICHE TECNICHE TECHNICAL SPECIFICATIONS

TYPE "HMB"



Pressione Massima - Max. Pressure: 250 Bar (**)

TYPE "HMC"



Pressione Massima - Max. Pressure: 250 Bar (**)

PRODOTTO - PRODUCT		MATERIALE - MATERIAL	
1	TUBO LUCIDO POLISHED TUBE	ACCIAIO: St 52.3 DIN 2393 ISO H9 STEEL: St 52.3 DIN 2393 ISO H9	
2	STELO CROMATO CHROMED ROD	ACCIAIO: UNI C45 - SAE 1045 - CROMO 25 µm ±5 Rating 9 / 200h (<ø20 120h) ISO 10289 - 1999/ISO 9227-NSS STEEL: UNI C45 - SAE 1045 - CHROME 25 µm ±5 Rating 9 / 200h (<ø20 120h) ISO 10289 - 1999/ISO 9227-NSS	
3	TESTATA DI GUIDA HEAD BUSH	GHISA: EN-GJL 250 (G25-UNI 5007 / EN 1561) HYDRAULIC CAST IRON: EN-GJL 250 (G25-UNI 5007 / EN 1561)	
4	PISTONE PISTON	ACCIAIO: 9SMn28 STEEL: 9SMn28	
5	FONDELLO END PLUG	ACCIAIO: S355J0 (Fe510C) - S355JR (A105) STEEL: S355J0 (Fe510C) - S355JR (A105)	
6	BORCHIA FILETTATA THREADED PORT	ACCIAIO STEEL	
7	DADO AUTOBLOCCANTE LOCKNUT	ACCIAIO: UNI 7473 - 7474 STEEL: UNI 7473 - 7474	
8	GUARNIZIONE: O-RING SEAL: O-RING	NBR 70 SHORE NBR 70 SHORE	
9	GUARNIZIONE: GHK SEAL: GHK	POLIURETANO POLYURETHANE	
10	GUARNIZIONE: TSE-TTS-TT/L SEAL: TSE-TTS-TT/L	TSE: NBR+TESSUTO TTS-TT/L: POLIURETANO TSE: NBR+FABRIC TTS-TT/L: POLYURETHANE	
11	GUARNIZIONE: O-RING SEAL: O-RING	NBR 70 SHORE NBR 70 SHORE	
12	GUARNIZIONE: TPM SEAL: TPM	NBR+POM+TPE NBR+POM+TPE	
13	GUARNIZIONE: O-RING SEAL: O-RING	NBR 70 SHORE NBR 70 SHORE	
14	TERMINALE A SNODO RILUBRIFICABILE BALL-JOINT END WITH GREASE NIPPLE	TIPO : "CSTS...C" ACCIAIO: ISO 12240-4 SERIE E - TIPO S TYPE : "CSTS...C" STEEL: ISO 12240-4 SERIES E - TYPE S	
15	TERMINALE A SNODO RILUBRIFICABILE BALL-JOINT END WITH GREASE NIPPLE	TIPO : "CSTS...N" ACCIAIO: ISO 12240-1 SERIE E TYPE : "CSTS...N" STEEL: ISO 12240-1 SERIES E	
16	ANELLO A SILDARE CON SNODO "GE" MONTATO WELD-RING WITH "GE" BALL-JOINT	TIPO : "CAGEG" ACCIAIO: S355J0 (Fe510C) - S355JR (A105) TYPE : "CAGEG" STEEL: S355J0 (Fe510C) - S355JR (A105)	

Velocità Limite - Top Speed: max 0,5 m/s Temperatura C° - Temperature C°: -25°C - +80°C

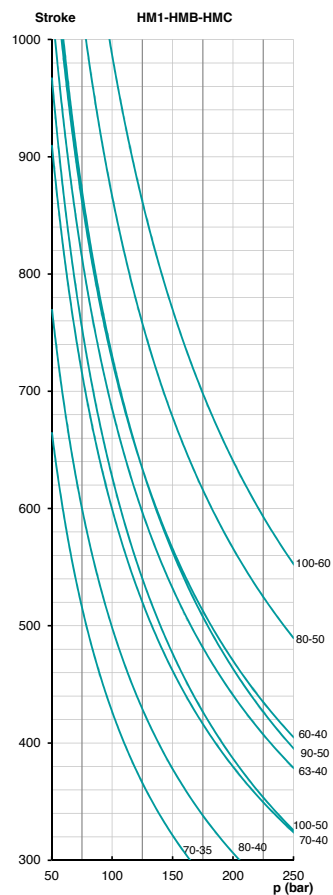
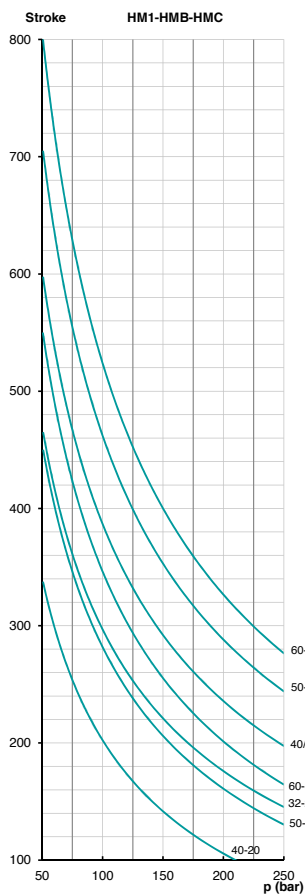
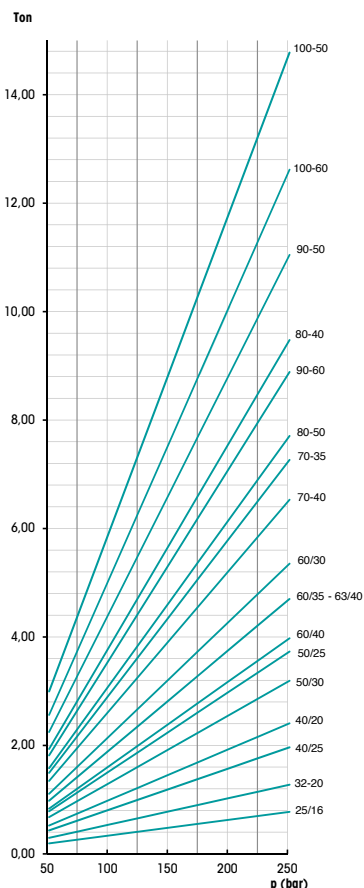
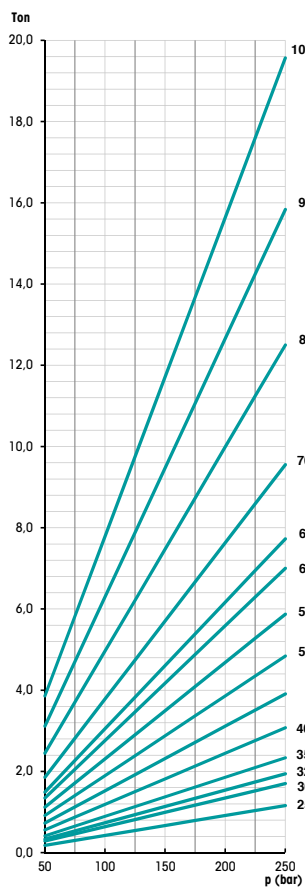
(**) Il dato della pressione è sempre da verificare in base all'applicazione del cilindro.

(**) The pressure value is always to be checked depending on the application of the cylinders.

CARATTERISTICHE TECNICHE
TECHNICAL SPECIFICATIONS

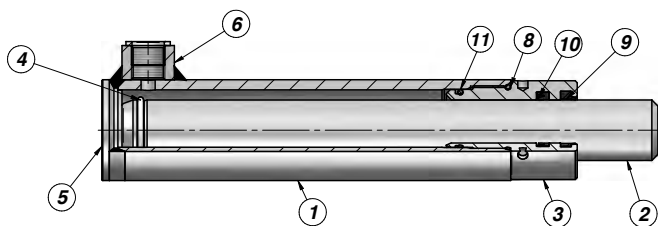
FORZA IN SPINTA - OUTPUT FORCE FORZA IN TIRO - INPUT FORCE

PRESSOFLESSIONE - BUCKLING (HMB - HMC)



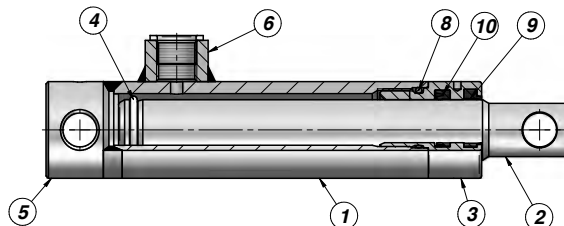
CARATTERISTICHE TECNICHE TECHNICAL SPECIFICATIONS

TYPE "HTO"



"HTO" Pressione Massima - Max. Pressure: 250 Bar (**)

TYPE "HFRT"



"HFRT" Pressione Massima - Max. Pressure: 250 Bar (**)

PRODOTTO - PRODUCT			MATERIALE - MATERIAL	
1	TUBO LUCIDO POLISHED TUBE		ACCIAIO: S1 52.3 DIN 2393 ISO H9 STEEL: S1 52.3 DIN 2393 ISO H9	
2	STELO CROMATO CHROMED ROD		ACCIAIO: UNIC45-SAE 1045 - CROMO 25µm±5 Rating 9/200h (<ø20 120h) ISO 10289 - 1999/ISO 9227-NSS STEEL: UNIC45-SAE 1045 - CHROME 25µm±5 Rating 9/200h (<ø20 120h) ISO 10289 - 1999/ISO 9227-NSS	
3	TESTATA DI GUIDA HEAD BUSH	TIPO : "HTO" TYPE: "HTO"	GHISA: EN-GJL 250 (G25-UNI 5007 / EN 1561) HYDRAULIC CAST IRON: EN-GJL 250 (G25-UNI 5007 / EN 1561)	
3	TESTATA DI GUIDA HEAD BUSH	TIPO : "HFRT" TYPE: "HFRT"	ACCIAIO: 9SMn28 CON TRATTAMENTO "NI-TEMPER" STEEL: 9SMn28 WITH "NI-TEMPER" TREATMENT	
4	ANELLO DI ARRESTO STOP RING		ACCIAIO: 9SMn28 STEEL: 9SMn28	
5	FONDELLO END PLUG		ACCIAIO: S355J0 (Fe510C) - S355JR (A105) STEEL: S355J0 (Fe510C) - S355JR (A105)	
6	BORCHIA FILETTATA THREADED PORT		ACCIAIO STEEL	
8	GUARNIZIONE: O-RING SEAL: O-RING	TIPO : "HTO" TYPE: "HTO"	NBR 70 SHORE NBR 70 SHORE	
8	GUARNIZIONE: O-RING SEAL: O-RING	TIPO : "HFRT" TYPE: "HFRT"	NBR 90 SHORE NBR 90 SHORE	
9	GUARNIZIONE: GHK SEAL: GHK		POLIURETANO POLYURETHANE	
10	GUARNIZIONE: TSE-TTS-TT/L SEAL: TSE-TTS-TT/L		TSE: NBR+TESSUTO TTS-TT/L: POLIURETANO TSE: NBR+FABRIC TTS-TT/L: POLYURETHANE	
11	GUARNIZIONE: O-RING SEAL: O-RING		NBR 70 SHORE NBR 70 SHORE	

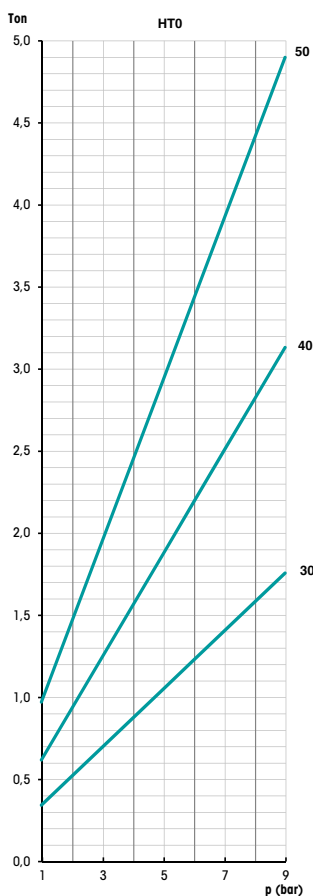
Velocità Limite - Top Speed: max 0,5 m/s Temperatura C° - Temperature C°: -25°C - +80°C

(**) Il dato della pressione è sempre da verificare in base all'applicazione del cilindro.

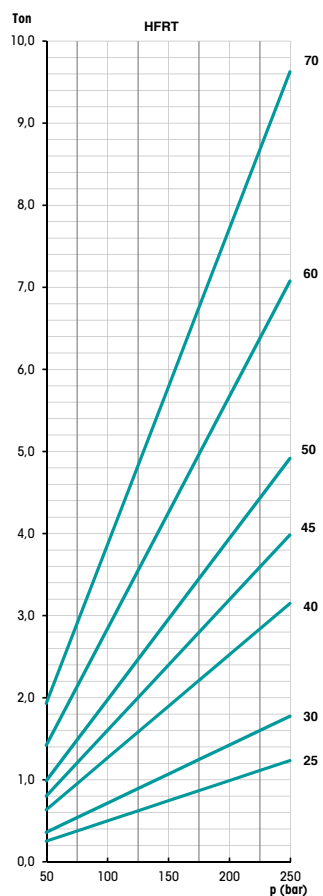
(**) The pressure value is always to be checked depending on the application of the cylinders.

CARATTERISTICHE TECNICHE
TECHNICAL SPECIFICATIONS

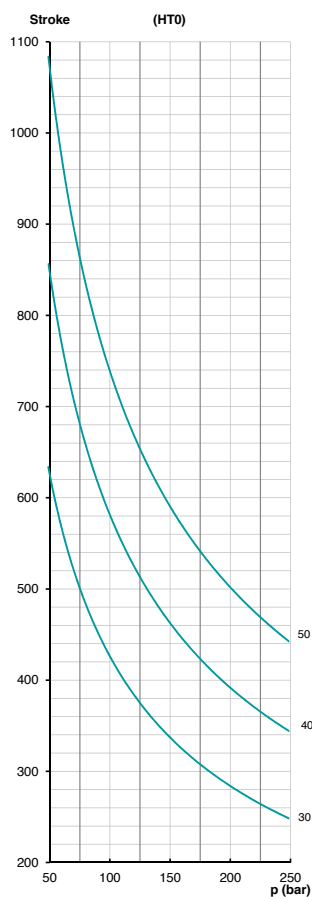
FORZA IN SPINTA - OUTPUT FORCE (HTO)



FORZA IN SPINTA - OUTPUT FORCE (HFRT)



PRESSOFLESSIONE - BUCKLING (HTO)



PRESSOFLESSIONE - BUCKLING (HFRT)

