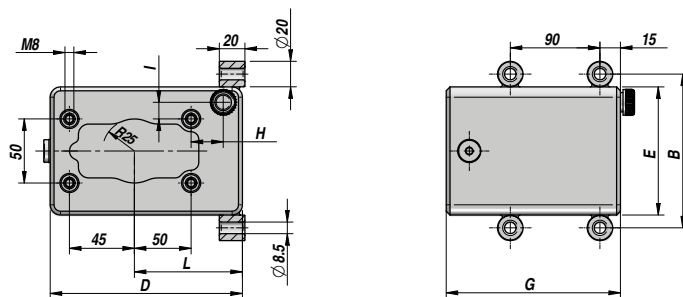
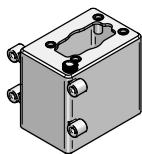


PM

SERBATOIO PER POMPA A MANO ( TIPO PAM-T e PAM-TD )  
TANK FOR HAND PUMP ( PAM-T / PAM-TD TYPE )



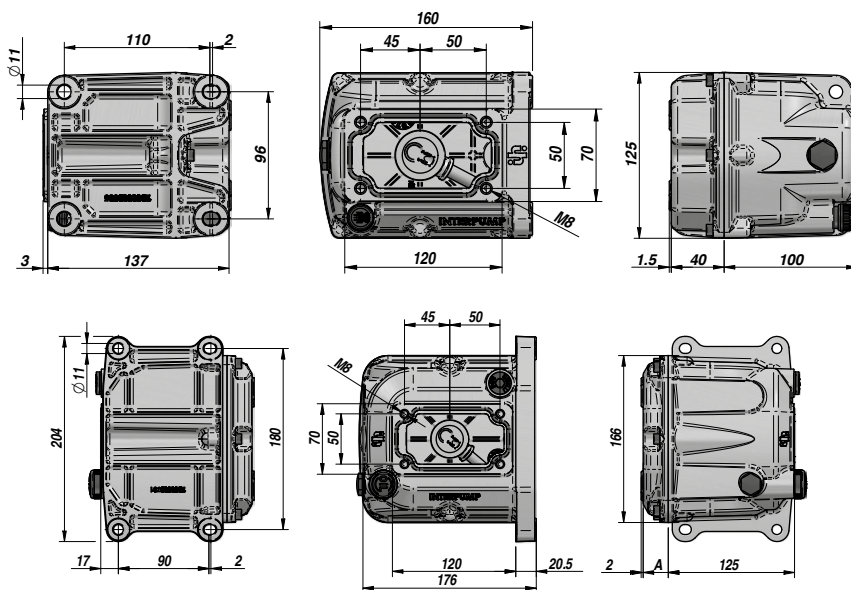
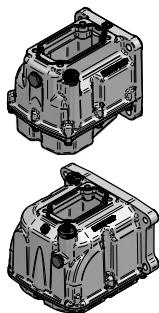
Codice Code	Capacità Capacity	B	D	E	G	H	I	L	Montaggio Mounting	kg
PM00220001	lt 1	120	150	100	120	24	12	90		2,00
PM00220002	lt 2	120	150	100	180	24	12	90		2,20
PM00220003	lt 3	120	150	100	247	24	12	90	N°4 fori Ø 8.5 mm N°4 holes Ø 8.5 mm	2,50
PM00220005	lt 5	195	175	175	200	42	45	110		4,50
PM00220007	lt 7	195	175	175	269	42	45	110		5,40
PM00220010	lt 10	195	175	175	376	42	45	110		6,80

MATERIALE : ACCIAIO  
MATERIAL : STEEL

PAMSAL

NEW!

SERBATOIO PER POMPA A MANO ( TIPO PAM-T e PAM-TD )  
TANK FOR HAND PUMP ( PAM-T / PAM-TD TYPE )



PAMSAL01 (Lt.1)

PAMSAL02 (Lt.2)  
PAMSAL03 (Lt.3)  
PAMSAL05 (Lt.5)

Codice Code	Capacità Capacity	A	Indicatore di livello Level Indicator BSP	Montaggio Mounting	kg
PAMSAL0100	lt 1	40	3/8"		1,38
PAMSAL0200	lt 2	25	3/8"	N°4 fori Ø 11 mm N°4 holes Ø 11 mm	1,93
PAMSAL0300	lt 3	70	3/8"		2,19
PAMSAL0500	lt 5	180	3/8"		2,82

MATERIALE : ALLUMINIO ( EN 1706 AC-AISI11Cu2 )  
MATERIAL : ALUMINIUM ( EN 1706 AC-AISI11Cu2 )