

MOTORE "M+S HYDRAULIC"  
"M+S HYDRAULIC" MOTOR

ALBERO CILINDRICO Ø25  
PARALLEL SHAFT Ø25

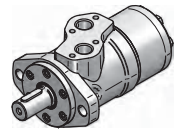
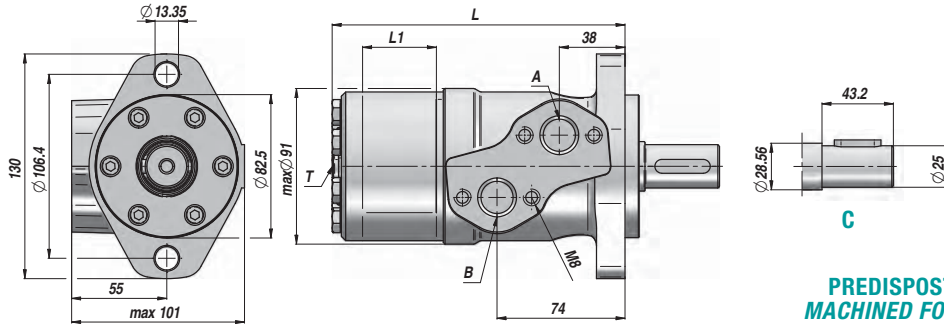
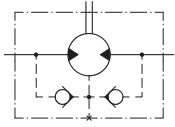
FLANGIA "SAE A" - 2 FORI  
"SAE A" FLANGE - 2 HOLES



MPP (MP)

Standard: CONNESSIONI LATERALI - SIDE PORTS

VALVOLE UNIDIREZIONALI  
INCORPORATE  
BUILT-IN CHECK VALVES



PREDISPOSTO PER IL DRENAGGIO  
MACHINED FOR DRAIN CONNECTION

Codice Code	Tipo Type	cm <sup>3</sup> /giro cm <sup>3</sup> /rev	n. Max giri/min rpm	M Max daNm	Q MAX l/min	P MAX bar			A - B	T	L	L1	kg
						Caduta Drop Δp	Ingresso Inlet	Ritorno Return					
<b>LAVORO CONTINUO - CONTINUOUS WORK</b>													
MSP025NC25**	MPP 25 CD	25.0	1600	3.3	40	100	175	175 *	1/2"	1/4"	134.0	5.20	5,60
MSP032NC25**	MPP 32 CD	32.0	1560	4.3	50	100	175	175 *			135.0	6.30	5,60
MSP040NC25**	MPP 40 CD	40.0	1500	6.2	60	120	175	175 *			136.5	7.40	5,70
MSP050NC25	MPP 50 C	49.5	1210	9.4	60	140	175	175 *			135.5	6.67	5,80
MSP080NC25	MPP 80 C	79.2	755	15.1	60	140	175	175 *			139.5	10.67	5,90
MSP100NC25	MPP 100 C	99.0	605	19.3	60	140	175	175 *			142.0	13.33	6,10
MSP125NC25	MPP 125 C	123.8	486	23.7	60	140	175	175 *			145.5	16.67	6,20
MSP160NC25	MPP 160 C	158.4	378	31.3	60	140	175	175 *			150.0	21.33	6,40
MSP200NC25	MPP 200 C	198.0	303	36.6	60	140	175	175 *			155.5	26.67	6,60
MSP250NC25	MPP 250 C	247.5	242	38.0	60	110	175	175 *			162.0	33.33	6,80
MSP315NC25	MPP 315 C	316.8	190	38.0	60	90	175	175 *			171.5	42.67	7,10
MSP400NC25	MPP 400 C	396.0	150	36.0	60	70	175	175 *			182.0	53.33	7,60
MSP500NC25	MPP 500 C	495.0	120	39.0	60	60	140	140 *	195.5	66.63	8,90		
MSP630NC25	MPP 630 C	623.6	95	44.0	60	55	140	140 *	213.0	84.00	9,50		

\* = CON DRENAGGIO - WITH DRAIN

\*\* Solo Versione "D" - "D" Version only (vedi grafico - see diagram)

OPTION	OPTION	OPTION	PRESSIONE MAX. AL RITORNO SENZA DRENAGGIO MAX. RETURN PRESSURE WITHOUT DRAIN
<b>CO</b> 	<b>Q: (Square Mount)</b> 	<b>E: CONNESSIONI POSTERIORI REAR PORTS</b> 	<p>1: Low pressure shaft seal 2: Standard seal for "...B" shaft 3: High pressure shaft seal ("D" type)</p> <p>— continuous operations - - - intermittent operations</p>
<b>SH</b> 	<b>F: SAE A/4 (Oval Mount)</b> 	<b>CARICHI AMMESSI SULL'ALBERO PERMISSIBLE SHAFT LOADS</b> <p>Shaft : " C-CO "</p> <p>Oval mount Square mount</p> <p>Prad = Radial load Pa = Axial load</p> <p>1. Max. radial shaft load 2. n= 50 rpm 3. n=200 rpm 4. n=800 rpm</p>	
<b>K</b> 	<b>CB</b> 		
<b>KB</b> 			

**VERSIONI SPECIALI - SPECIAL VERSIONS**

D: guarnizione albero - shaft seal: max 150 bar  
 N/D: con cuscinetti a rulli - with needle bearings  
 W: versione ruota - wheel mount